

# Vector Frame R-02

## VF-R-02

Vector Frame is a collection of modern extrusion-based fabric graphic banner displays. Vector Frame is easy to assemble and disassemble and provides your choice of single-sided or double-sided integrated fabric graphic murals.



We are continually improving and modifying our product range and reserve the right to vary the specifications without prior notice. All dimensions and weights quoted are approximate and we accept no responsibility for variance. E&OE. See Graphic Templates for graphic bleed specifications.

## features and benefits

- 50mm silver extrusion frame
- Single or double-sided SEG dye-sublimated fabric graphics
- Easy assembly
- Comes packaged in one OCS wheeled molded case for transport or storage
- Lifetime hardware warranty against manufacturer defects

## dimensions

Hardware	Graphic
Assembled unit: 35.4375" w x 70.875" h x 13.8" d approx. 900mm(w) x 1800mm(h) x 350mm(d)	Graphic A: Total visual area: 35.4375" w x 70.875" h 900mm(w) x 1800mm(h)  Refer to related graphic templates for more information
Shipping	
Shipping dimensions: One OCS case: 19" l x 19" w x 45" h 483mm(l) x 483mm(w) x 1422mm(h)  Approximate Shipping Weight: (entire kit) 38 lbs / 17 kg	

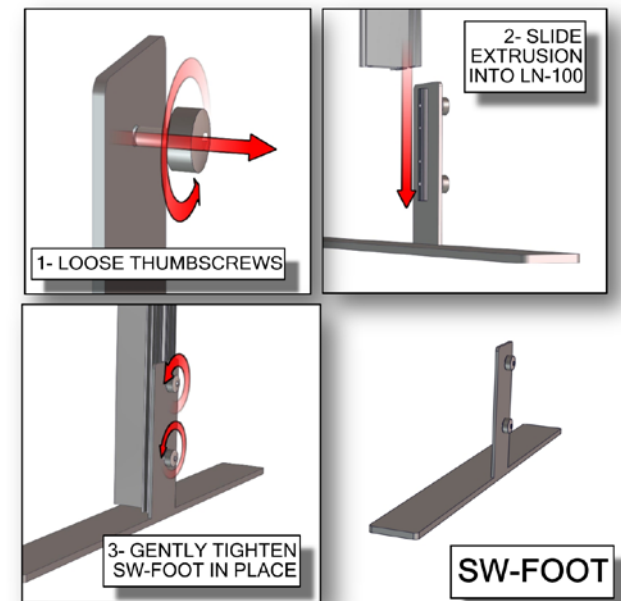
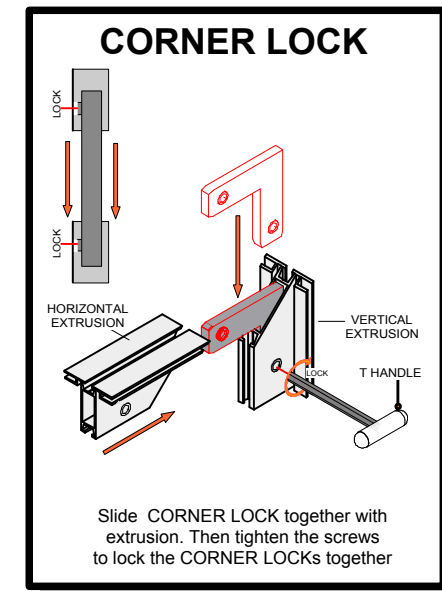
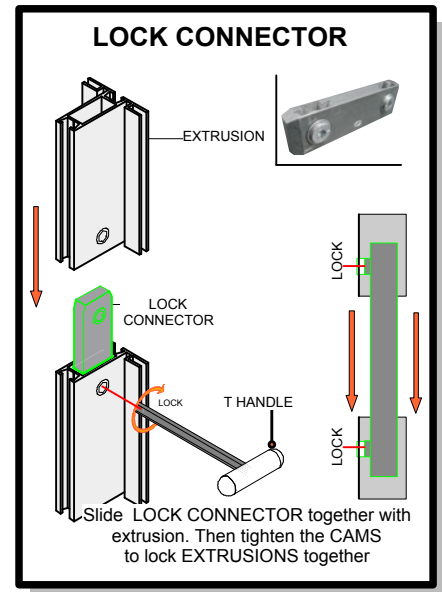
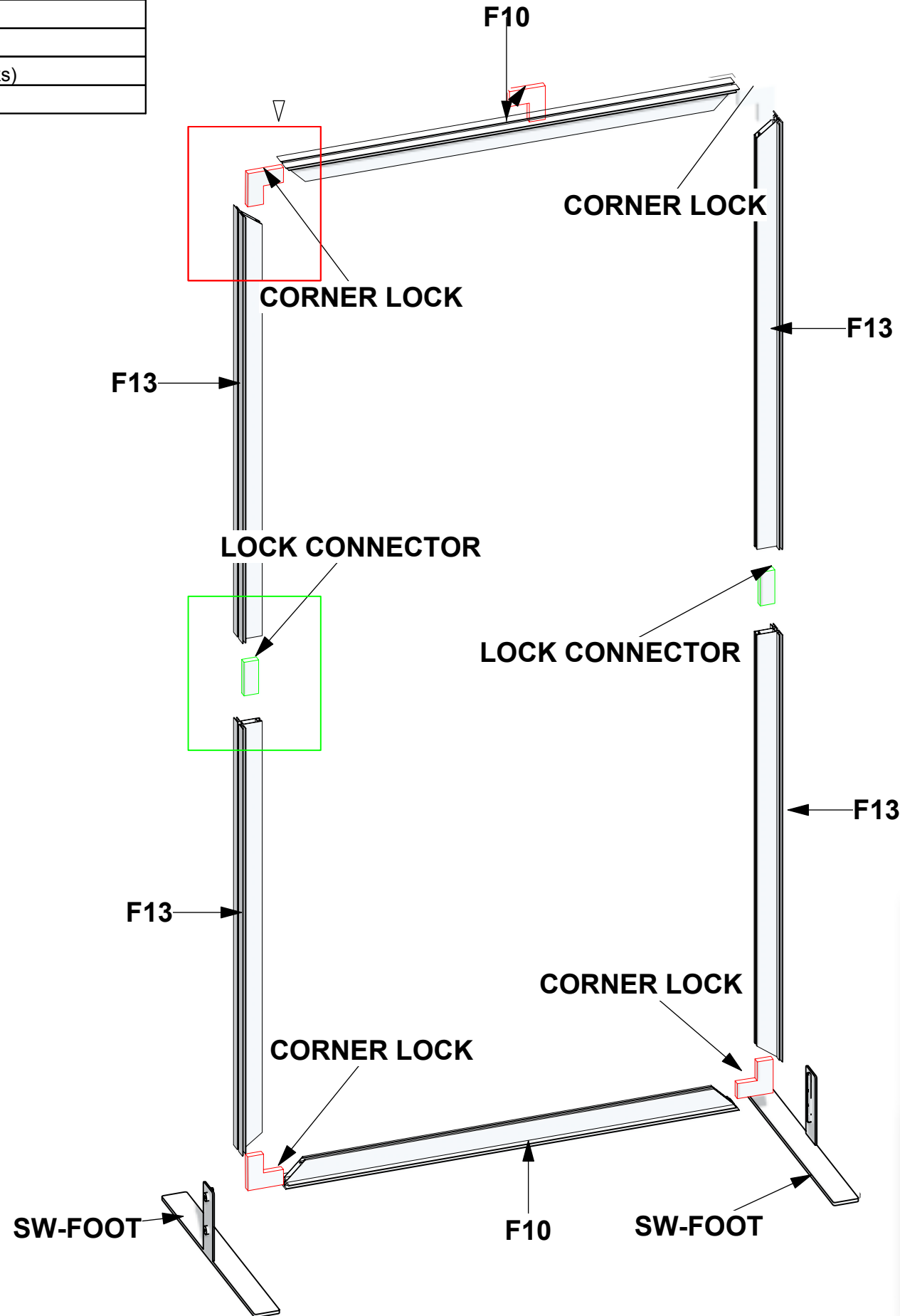
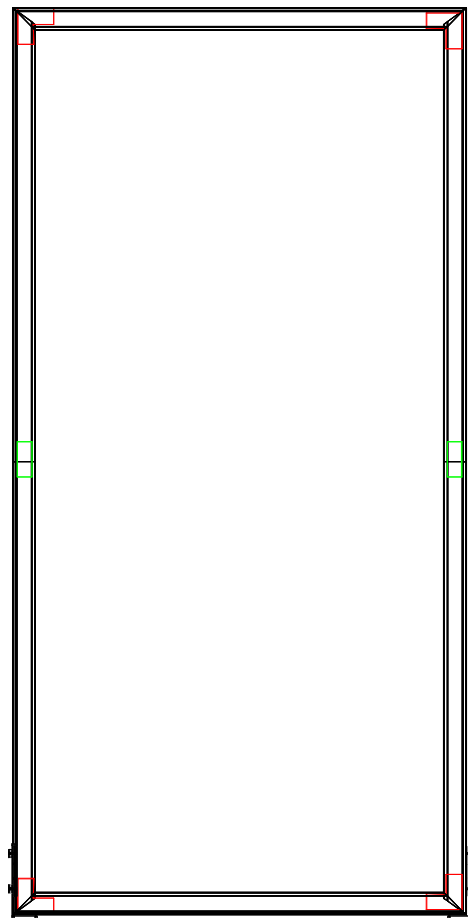
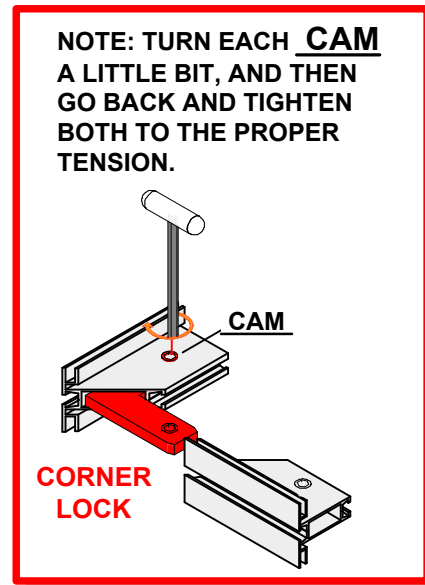
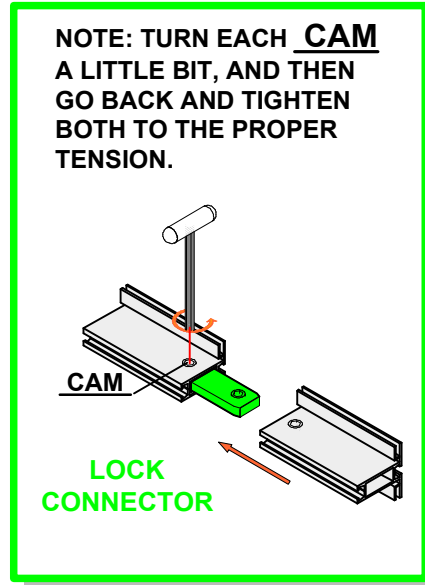
## additional information

Graphic material:  
Dye-sublimated fabric

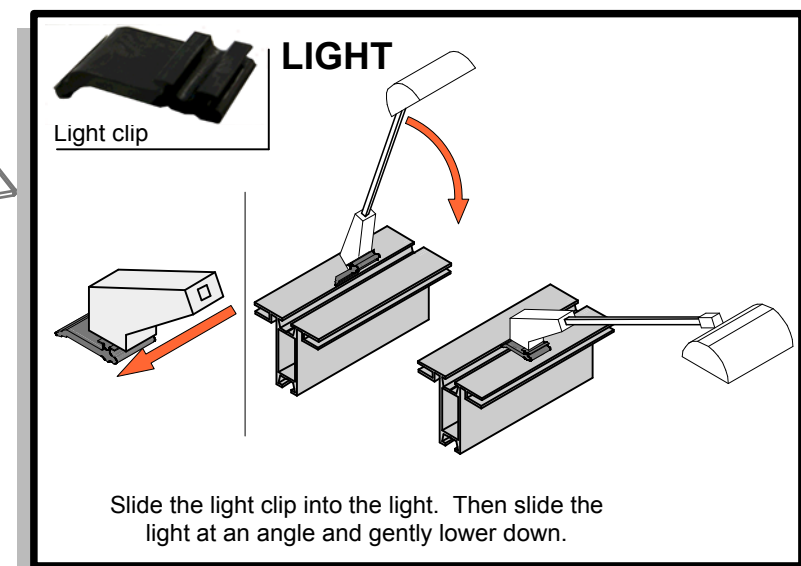
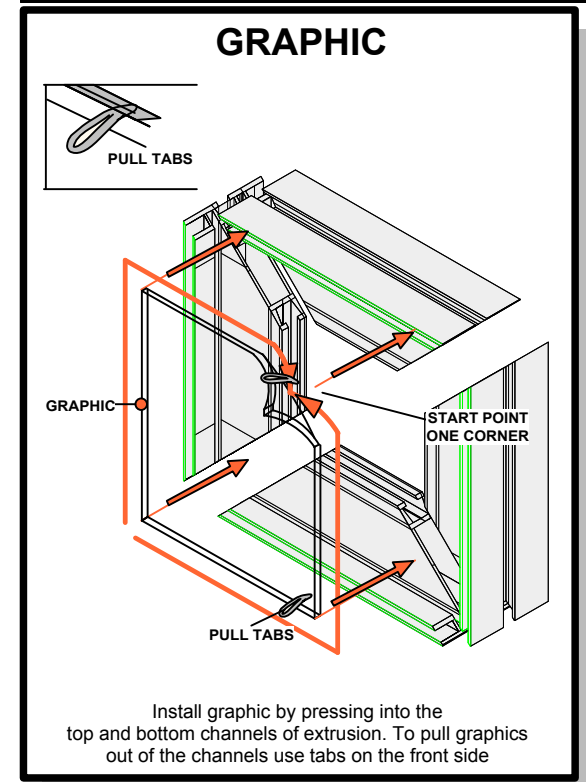
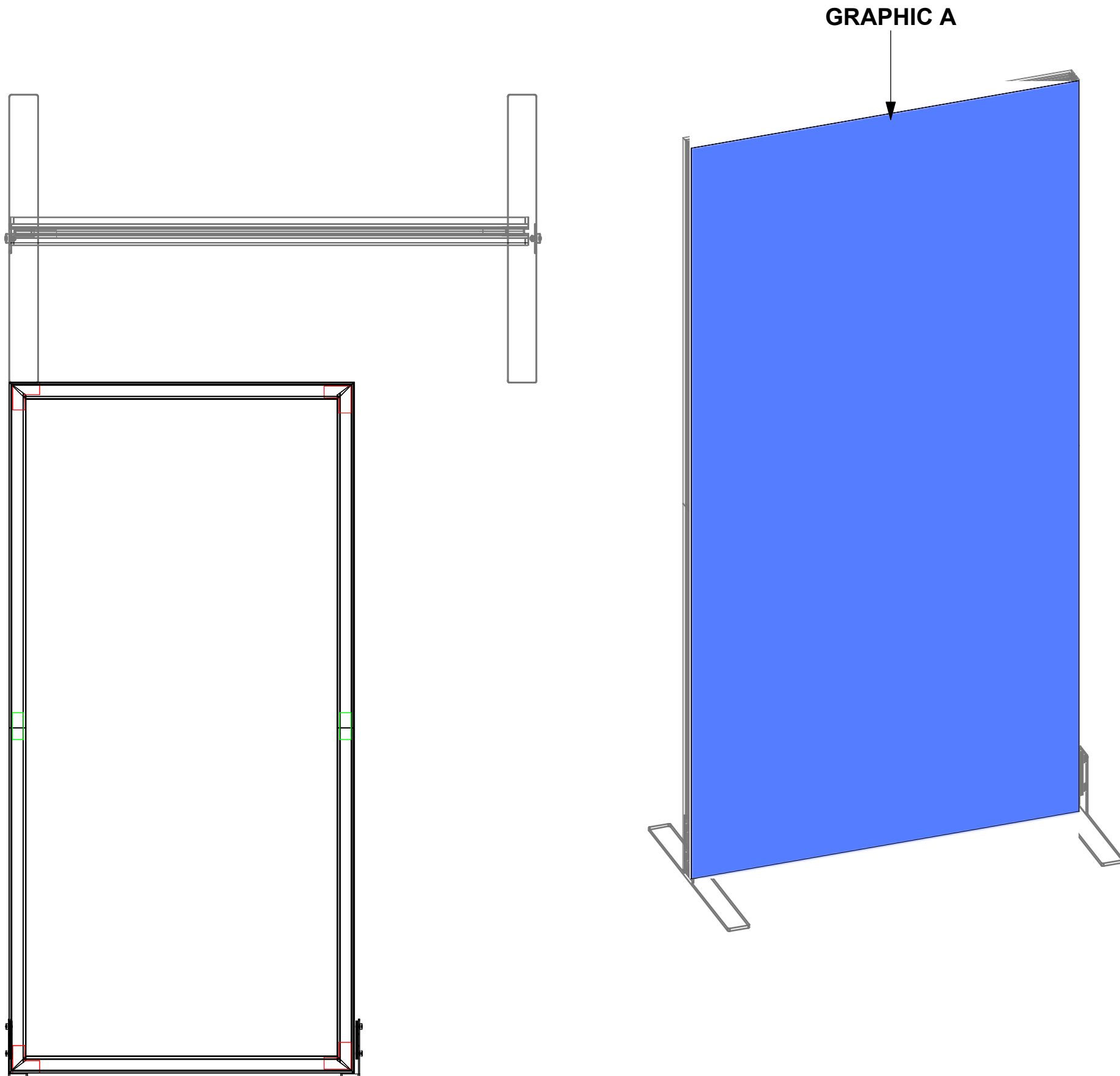
Optional lighting available



Code	#	Description
F13	4	PHFC2-900-3 [35.43"] (Mitre / Corner Lock one end - straight cut & lock hole other end)
LOCK CONNECTOR	2	END TO END LOCK CONNECTOR
CORNER LOCK	4	90 DEGREE CB9 CORNER LOCK CONNECTOR
F10	2	PHFC2-900-1[35.43"] (Mitre / Corner Lock Both ends - No Locks)
SW-FOOT	2	500MM FLAT FOOT FOR SMARTWALL FRAMES



Code	#	Description
GRAPHIC A	1	70.87"H X 35.43"W SINGLE SIDED DYESUB GRAPHIC (UNLINED) PRINTED ON OXFORD W/ FCE-2 ALL 4 SIDES



# Vector Frame Backwall and Exhibit Kits



smartwall banner R 01



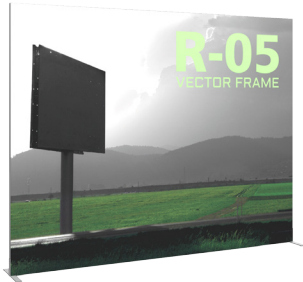
smartwall banner R 02



smartwall banner R 03



smartwall banner R 04



smartwall banner R 05



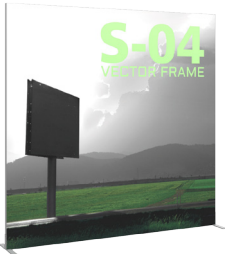
smartwall banner S 01



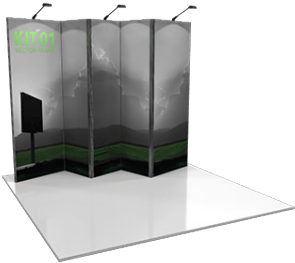
smartwall banner S 02



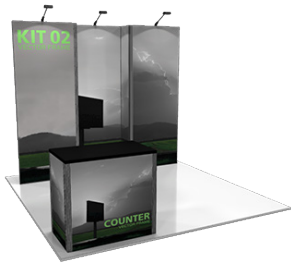
smartwall banner S 03



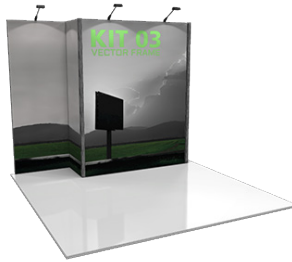
smartwall banner S 04



smartwall kit 01



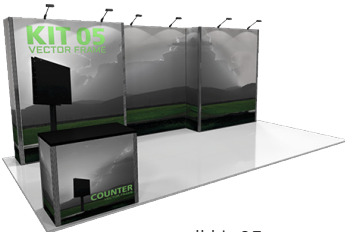
smartwall kit 02



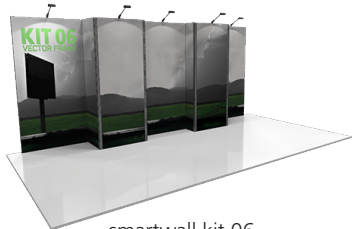
smartwall kit 03



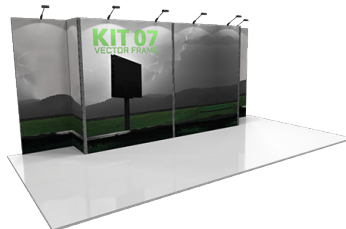
smartwall kit 04



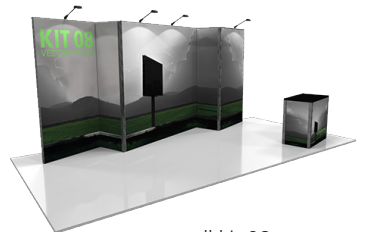
smartwall kit 05



smartwall kit 06



smartwall kit 07



smartwall kit 08