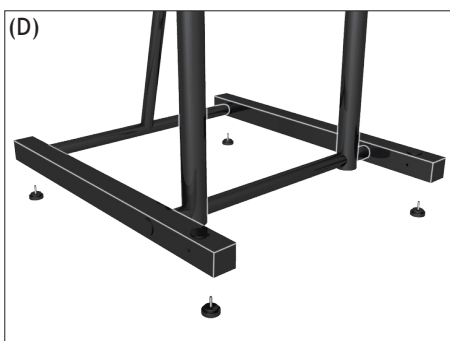
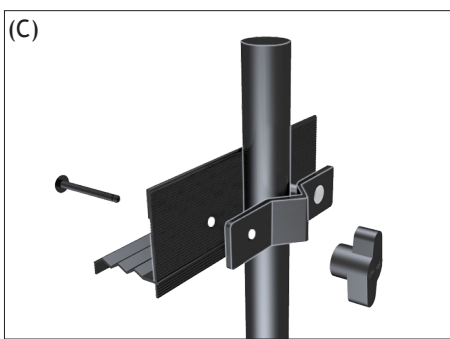
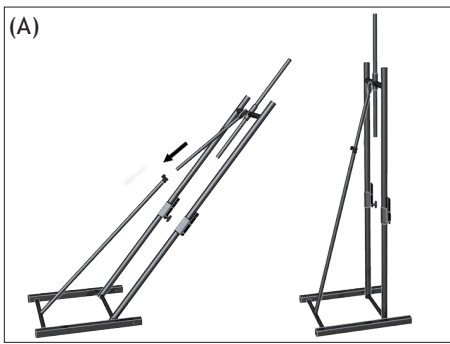


Studio Artist Easel

1. Tilt easel forward, then insert top of support pole into bottom counterpart (fig. A).
2. Use carriage bolts and wingnuts to attach Bottom Canvas Tray to easel brackets (fig. B).
3. Slide Top Canvas Holder down center pole and tighten with carriage bolt and knob (fig. C).
4. Screw bottom levelers onto easel base and adjust as needed (fig. D).

Applicable Products:

850B Easel



ACCESSORIES

