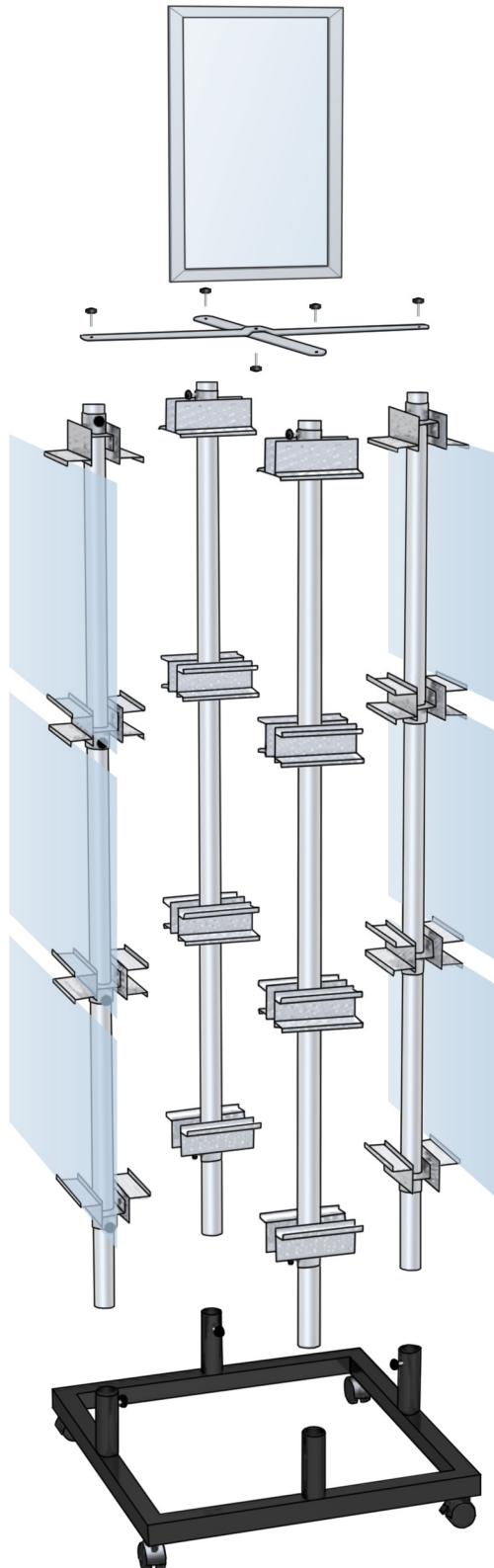


Art Tree Deluxe

1. Insert 4 poles into base and tighten with knobs (fig. A).
2. Slide graphic holders onto poles (fig. B).
3. Assemble upper crossbar with knobs (fig. C).
4. Attach frame to upper crossbar with knob (fig. D).



Applicable Products:

ATD

