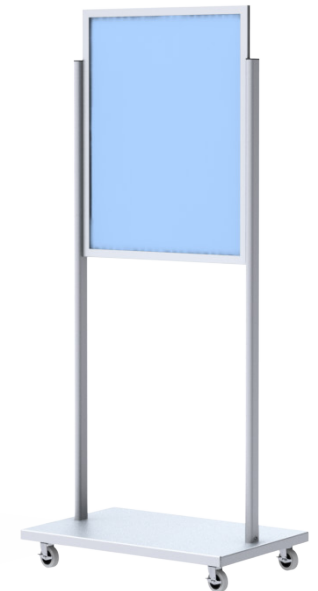
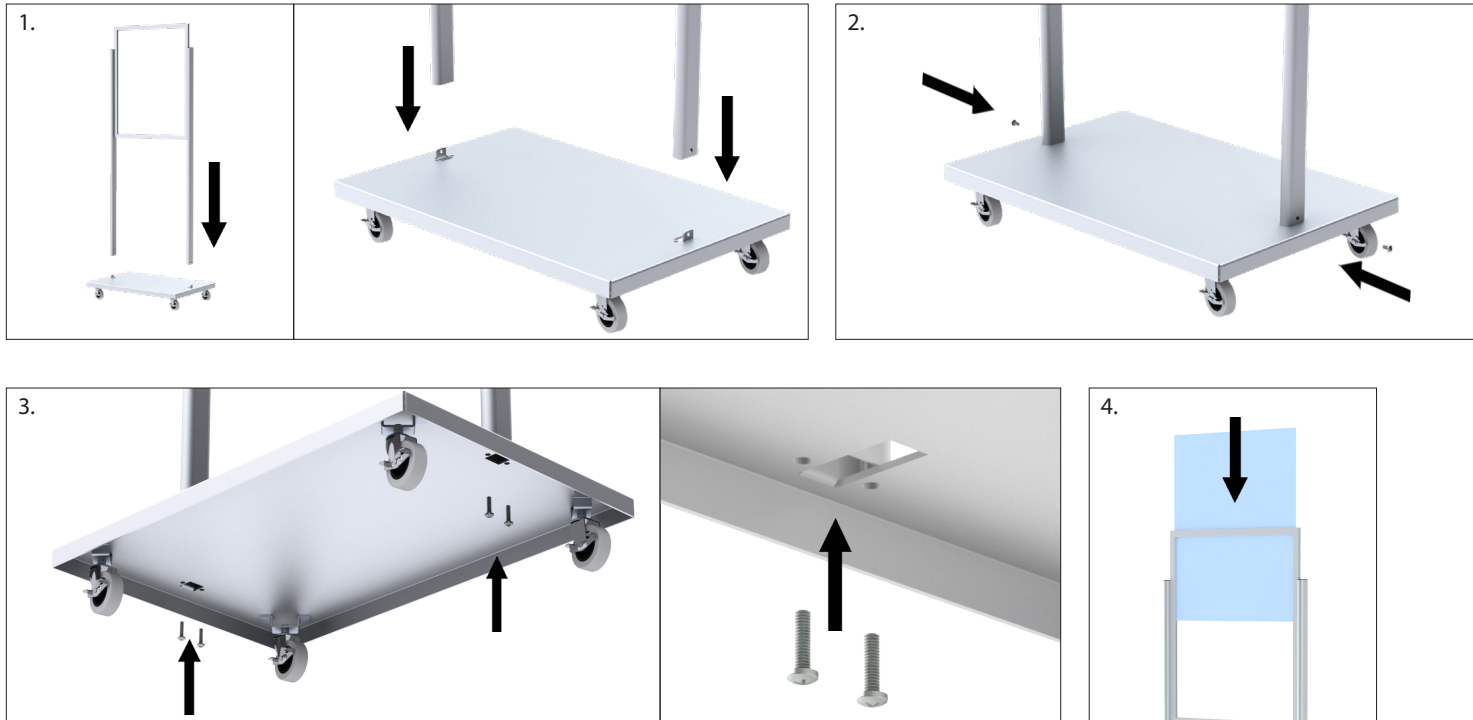


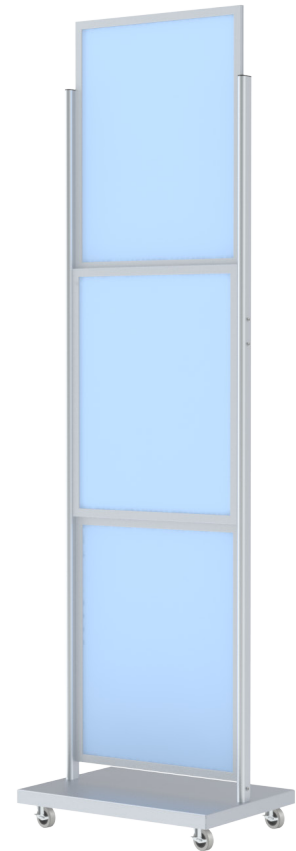
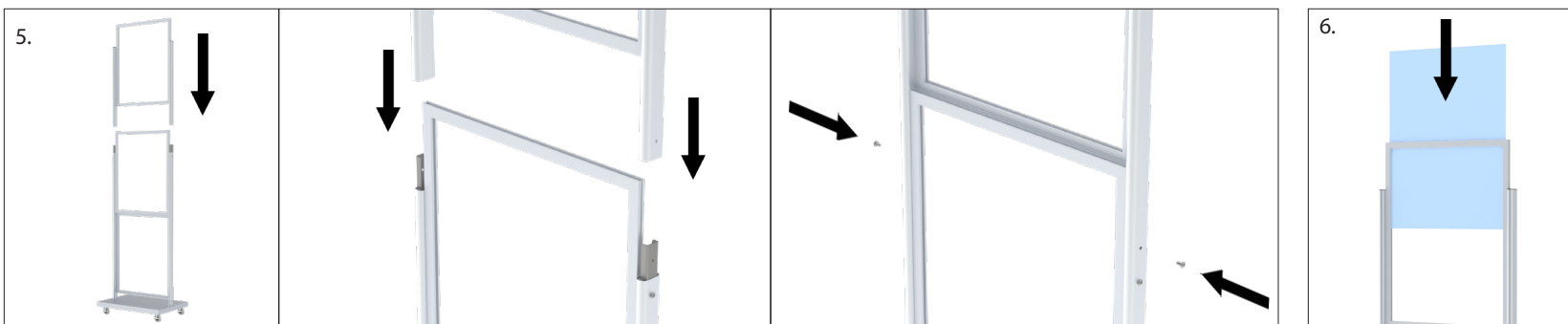
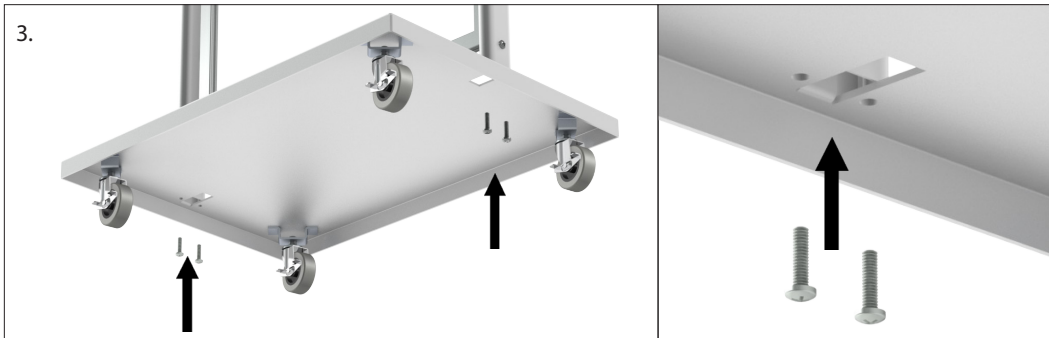
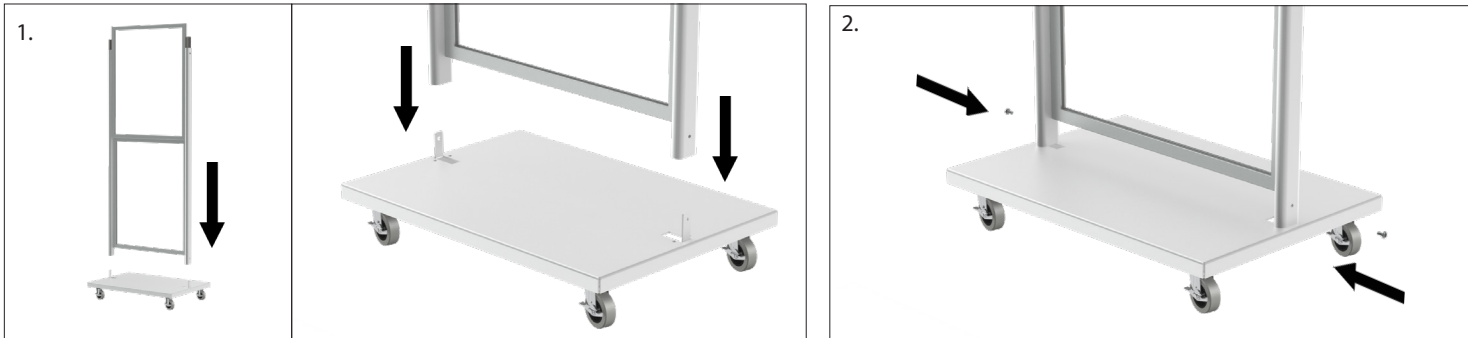
Roll Around SignHolder™ - RL Series 65" Tall

1. The open side of the frame should be upwards. There's a hole without a screw at the bottom of the frame's upright. Slide the upright over the base stem, with the open hole down towards the base.
2. Connect one screw into the side of each upright into the base and fully tighten.
3. On a clean surface, slowly and carefully tilt the stand down, making sure not to let it fall. You may need a second person to do so. From below, install 4 screws via the underside of the base into the uprights. Start all 4 screws before fully installing each one. Do not over-tighten.
4. Carefully stand the unit up. Install graphics by sliding them down into the frame.



Roll Around SignHolder™ - RL Series 94" Tall

1. Step 1. The open side of the frames should be upwards. There are two frames attaching together, those go on the bottom. There's a hole without a screw at the bottom of the upright. Slide the upright over the base stem, with the open hole down towards the base.
2. Connect one screw into the side of each upright into the base and fully tighten.
3. On a clean surface, slowly and carefully tilt the stand down, making sure not to let it fall. You may need a second person to do so. From below, install 4 screws via the underside of the base into the uprights. Start all 4 screws before fully installing each one. Do not over-tighten.
4. Carefully stand the unit up.
5. The top frame includes uprights and U shaped joiner brackets, with threaded holes. Install the U shaped joiner into the top of the uprights and secure with the screws provided. Ensure both uprights are fully secured in with screws and stable.
6. Install graphics by sliding them down into the frame.



R3328 shown