

Formulate 20' Horizontal Curve

FMLT-WH20-02

Formulate™ is a collection of sophisticated, ergonomically designed exhibit booths. Formulate combines state-of-the-art zipper pillowcase dye-sublimated fabric coverings with advanced lightweight aluminum structures to provide unique design, functionality, and style. The excellence of the Formulate line of displays, hanging structures and products is simply unmatched. Stretch fabric graphics are hand-sewn, durable and dry-cleanable.



features and benefits:

- State-of-the-art 30mm aluminum tubing with push-button connectors
- Frame can also be configured* as a standard 10' backwall (*requires additional 10' graphic purchase)
- Hardware mounts for a medium sized monitor, max 36"/ 40 lbs
- Kit includes: one frame, one dye-sublimated zipper pillowcase graphic, and two wheeled molded OCL cases and one OCH2 storage case
- Features a 34" wide counter available in four laminate color options
- Lifetime hardware warranty against manufacturer defects

dimensions:

Hardware

Assembled unit:
226.73" w x 92" h x 38.5" d
5759mm(w) x 2413mm(h) x 978mm(d)

Stand-off Monitor mount with counter:
37.4" w x 92.4" h x 29.4" d
Counter dimensions: 34.685" l x 16.6" w

Approximate weight (includes graphic):
133 lbs / 60 kgs

Shipping

Shipping dimensions - ships in 3 cases:
2 OCL cases (each): 19" l x 19" w x 56" h
1 OCH2 case: 52" l x 30" w x 15" h

Approximate shipping weight (with cases):
203 lbs / 92 kgs

Graphic

Total visual area:
250.5" w x 92" h
5740mm(w) x 2324mm(h)

Stand-off ladder total visual area:
Top: 37.4" w x 24.5" h
Bottom: 37.4" w x 38.2" h

Please be sure to include a 2" bleed around the perimeter.

Refer to related graphic template for more information.

Visit:
www.exhibitors-handbook.com/graphic-templates

additional information:

Graphic material: dye-sublimated fabric
Counter holds max 25 lbs / 11.3 kgs

Monitor mount: max T.V. size is 36"/ 40 lbs
*Kit does not include monitor

Table colors:



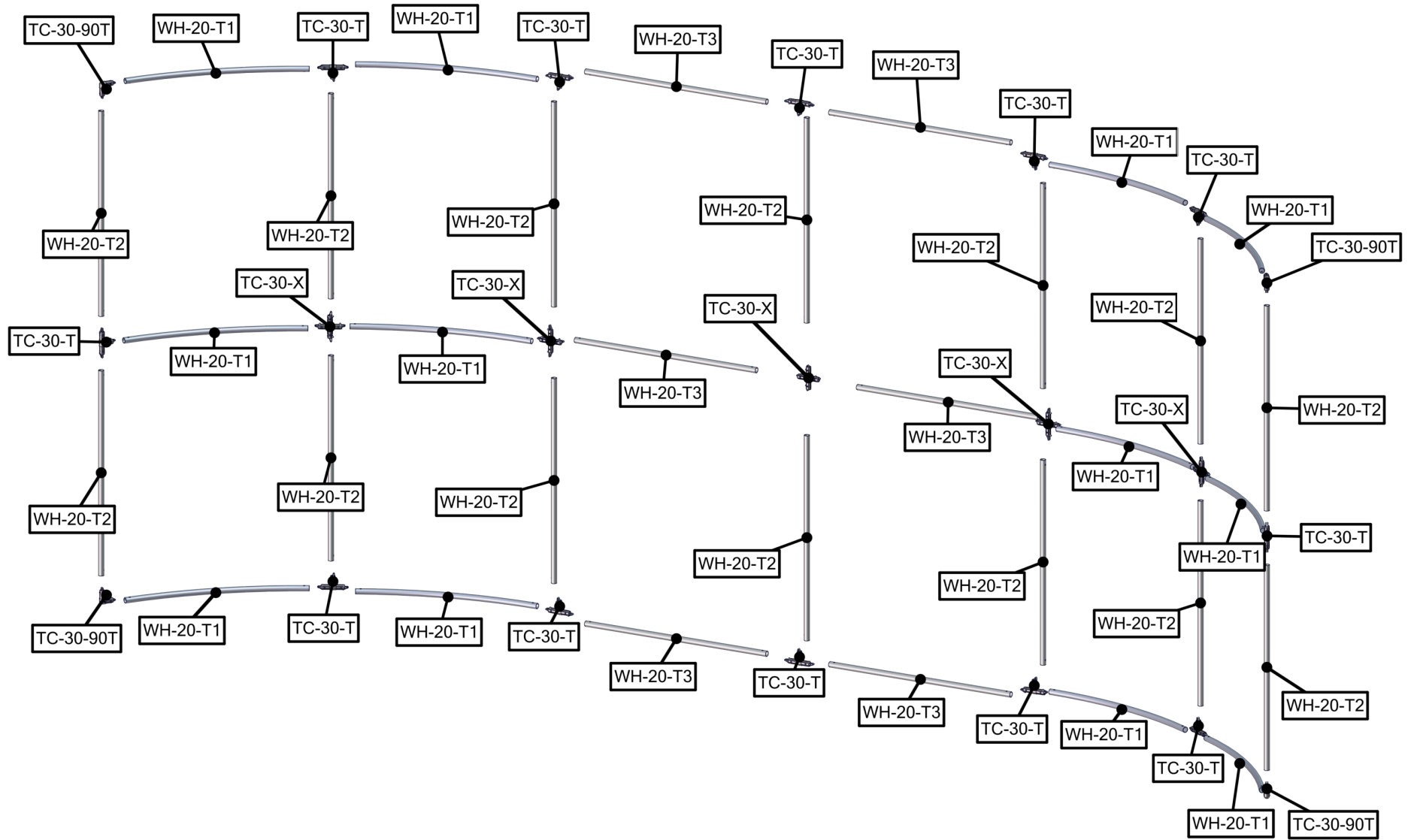
silver black mahogany natural



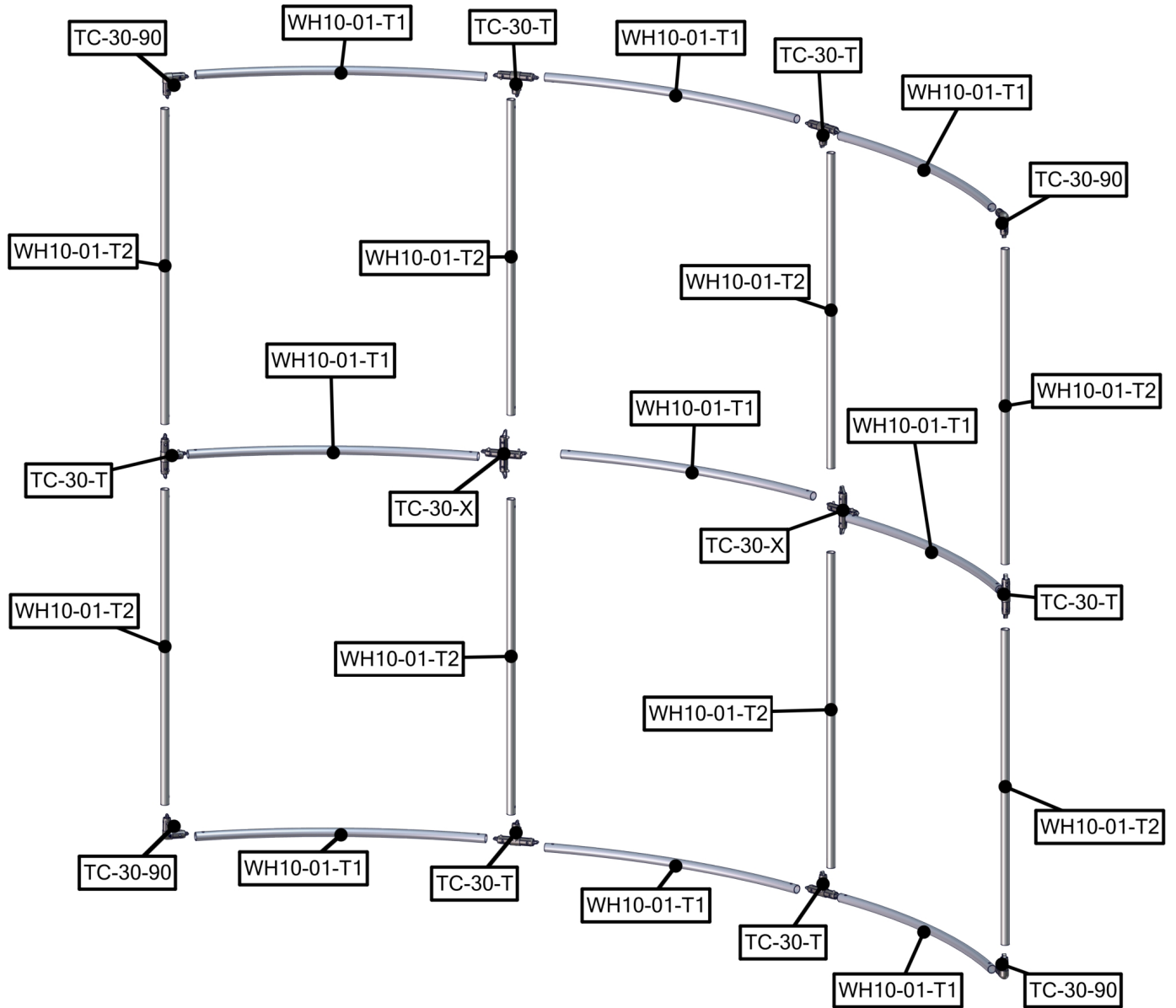
www.display-setup-animations.com

We are continually improving and modifying our product range and reserve the right to vary the specifications without prior notice. All dimensions and weights quoted are approximate and we accept no responsibility for variance. E&OE. See Graphic Templates for graphic bleed specifications.

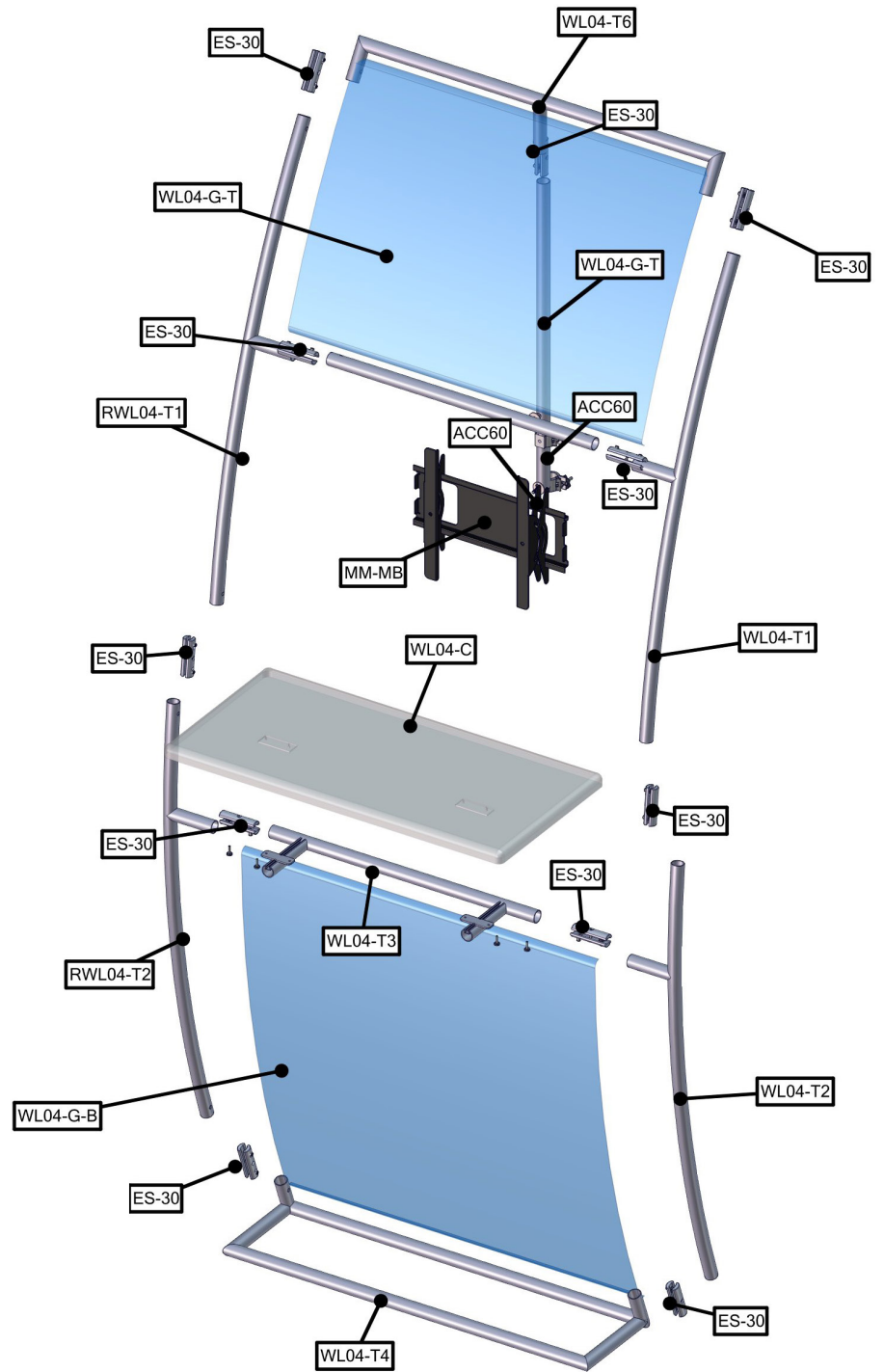
Parts Included		
Part Label	Qty	Part Code
90 DEGREE ELBOW JOINT FOR 30MM TUBING	x4	TC-30-90
T JUNCTION FOR 30MM TUBING	x12	TC-30-T
4 WAY JUNCTION FOR 30MM TUBING	x5	TC-30-X
30MM TUBE SECTION	x12	WH-20-T1
1114MM X 30MM TUBE SECTION	x14	WH-20-T2
1114MM X 30MM TUBE SECTION	x6	WH-20-T3
20' FABRIC GRAPHIC	x1	WH20-01-G



Parts Included		
Part Label	Qty	Part Code
FABRIC GRAPHIC	x1	WH10-01-G
90 DEGREE ELBOW JOINT FOR 30MM TUBING	x4	TC-30-90
T JUNCTION FOR 30MM TUBING	x6	TC-30-T
4 WAY JUNCTION FOR 30MM TUBING	x2	TC-30-X
R2000MM X 30MM TUBE (997MM ARC)	x9	WH10-01-T1
1114MM X 30MM TUBE	x8	WH10-01-T2



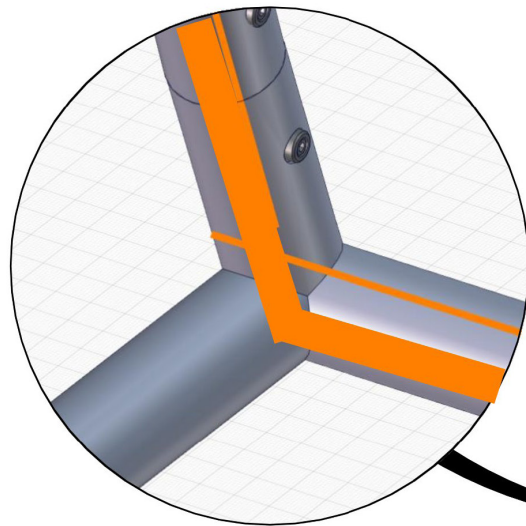
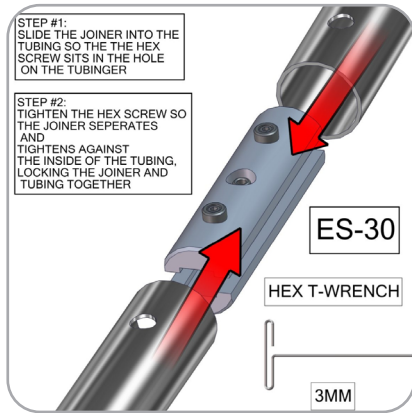
Parts Included		
Part Label	Qty	Part Code
30MM TUBE CLAMP	x2	ACC60
EXPANDING SPIGOT FOR 30MM TUBE	x11	ES-30
FABRIC GRAPHIC BOTTOM	x1	WL04-G-B
FABRIC GRAPHIC TOP	x1	WL04-G-T
MEDIUM MONITOR BRACKET	x1	MM-MB
881MM X 422MM X 30MM COUNTER	x1	WL04-C
30MM CURVED TUBE TOP RIGHT SIDE	x1	RWL04-T1
30MM CURVED TUBE RIGHT SIDE	x1	WRL04-T2
30MM CURVED TUBE LEFT SIDE	x1	WL04-T1
30MM CURVED TUBE LEFT SIDE	x1	WL04-T2
30MM SPREADER TUBE WITH COUNTER SUPPORTS	x1	WL04-T3
30MM BASE TUBE SECTION	x1	WL04-T4
30MM TOP END SECTION	x1	WL04-T6



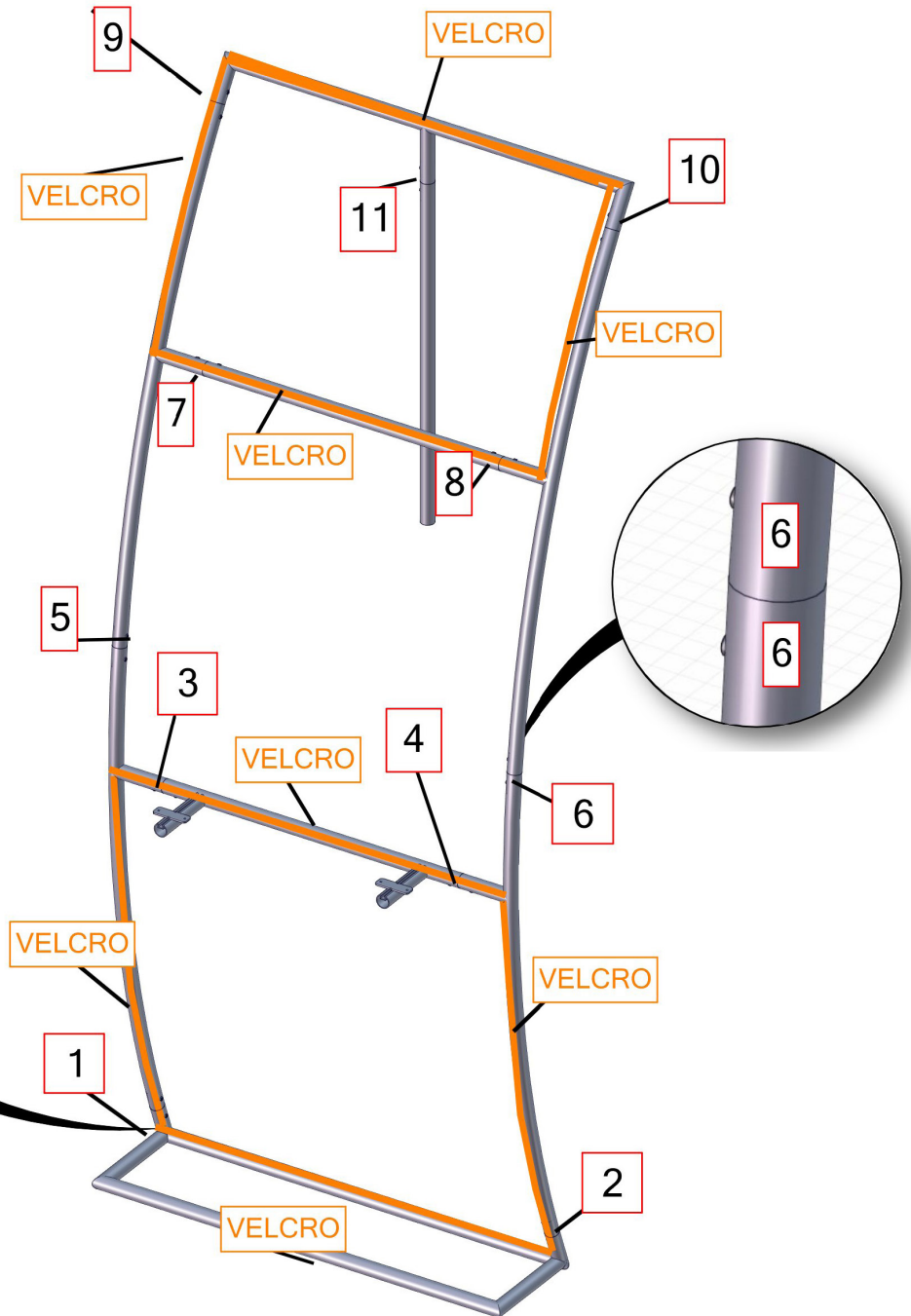
WL04 Frame Assembly:

Assemble unit by laying tubes flat on the floor. Connect the tube rails following the labels by matching number to number. See detailed drawing.

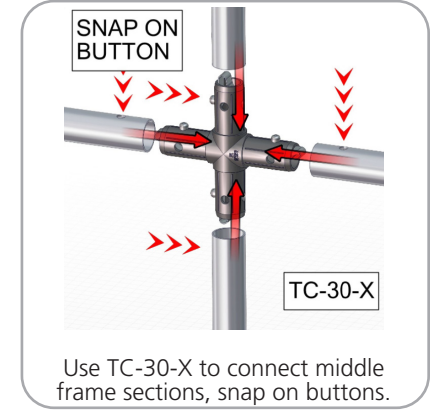
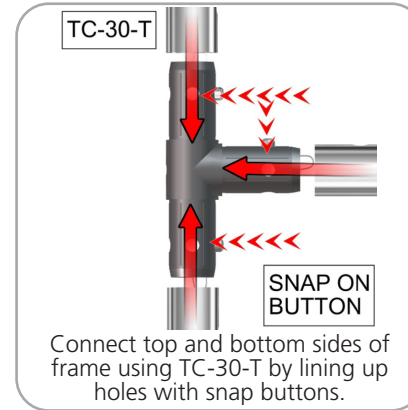
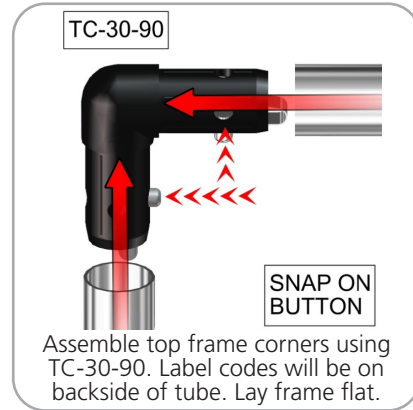
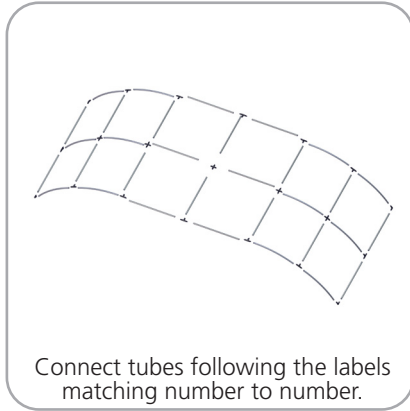
Slide joiner into tubing so hex screw sits in hole on tube. Tighten the hex screw so the joiner separates and tightens against the inside of the tubing, locking the joiner and tubing together.



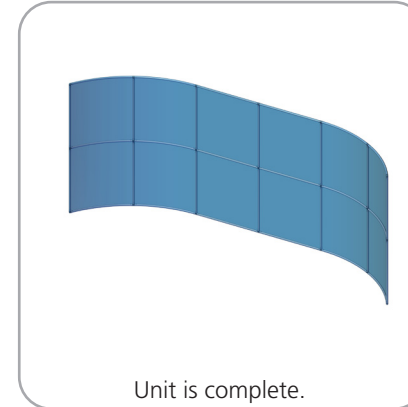
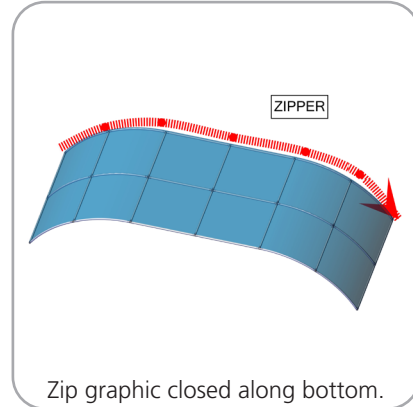
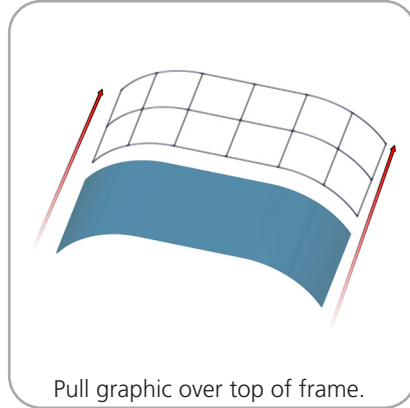
NOTE: TUBES WITH VELCRO ON FACE



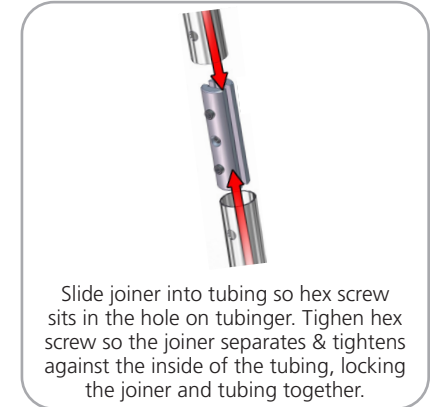
STEP 1: ASSEMBLE FRAME



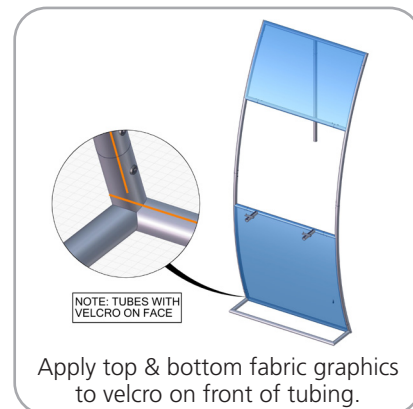
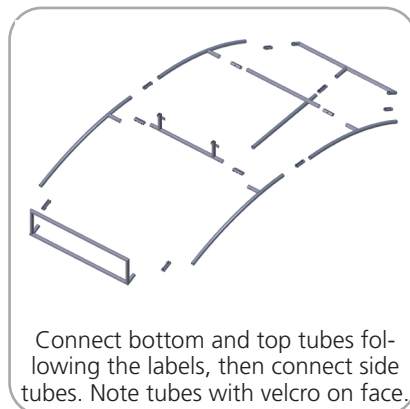
STEP 2: ATTACH GRAPHIC



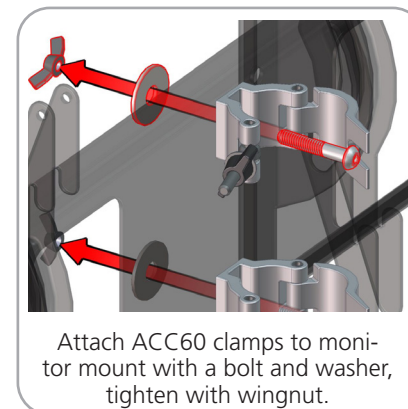
STEP 3: ASSEMBLE LADDER FRAME



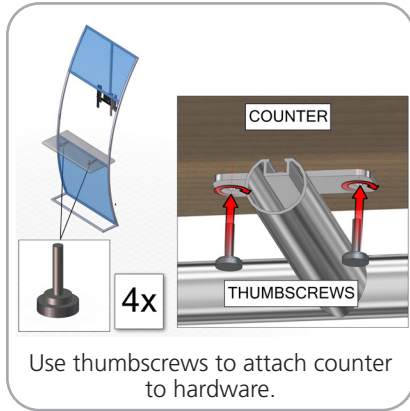
STEP 4: ATTACH GRAPHICS



STEP 5: INSTALL MONITOR MOUNT



STEP 6: ATTACH COUNTER TO ACCENT FRAME



STEP 7: ATTACH TO BACKWALL WITH CLAMPS

