

Vibe Kit 03

VBK-3

Vibe™ is a collection of cleverly-designed state-of-the-art 10' exhibit booths. Vibe combines light-weight aluminum structures with pillowcase dye-sublimated printed fabric graphics for a truly unique appearance and experience. Vibe is efficient, easy to assemble and disassemble and offers remarkable style options and choices.



features and benefits:

- State-of-the-art snap button 30mm aluminum lightweight tube structure
- High-quality dye-sublimated zipper pillowcase graphics
- Easy step-by-step instructions
- Kit includes two frames, two fabric pillowcase graphics, two wheeled molded cases and two 120 watt floodlights
- Lifetime warranty on hardware against manufacturer defects

dimensions:

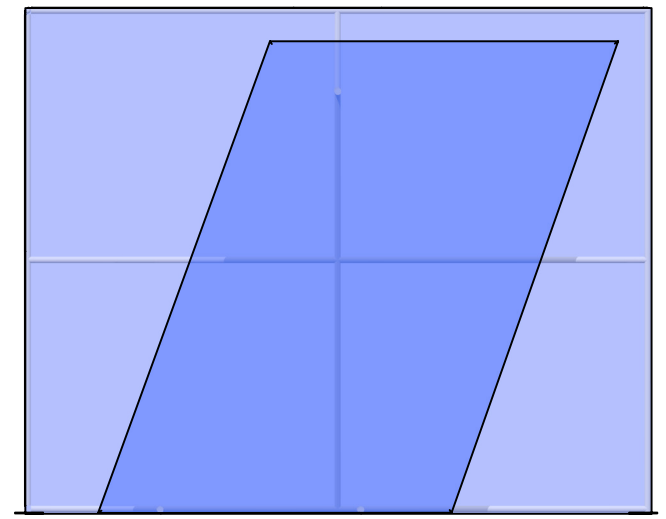
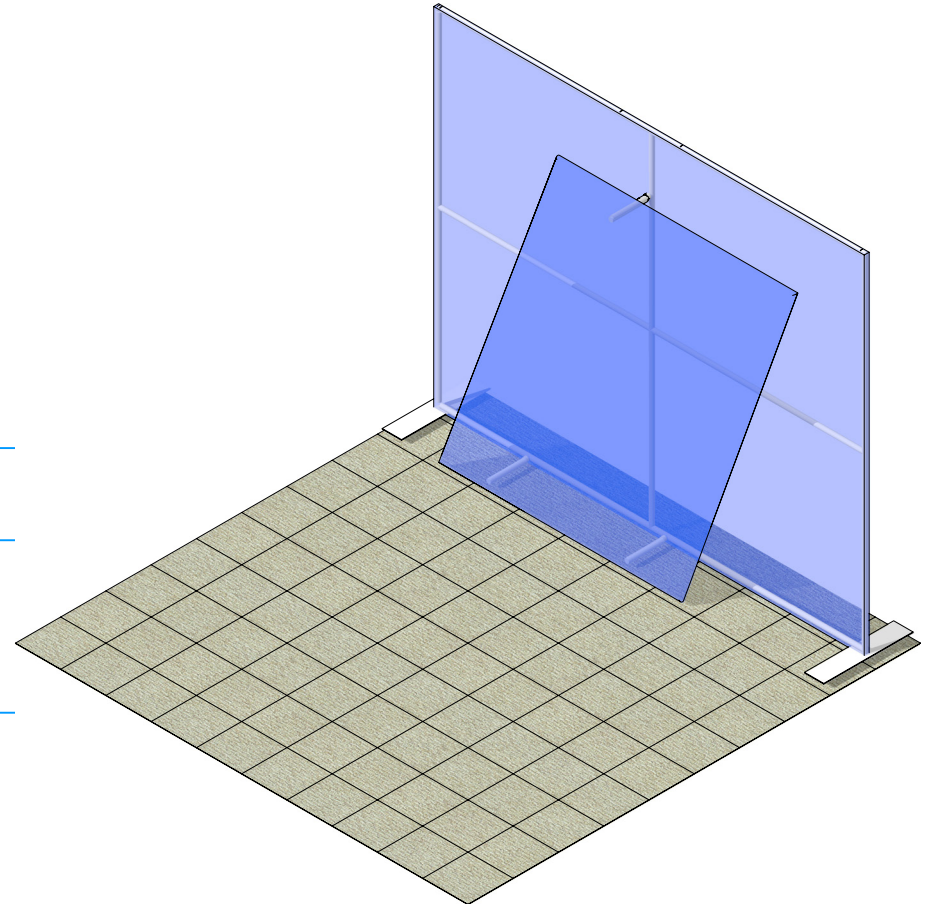
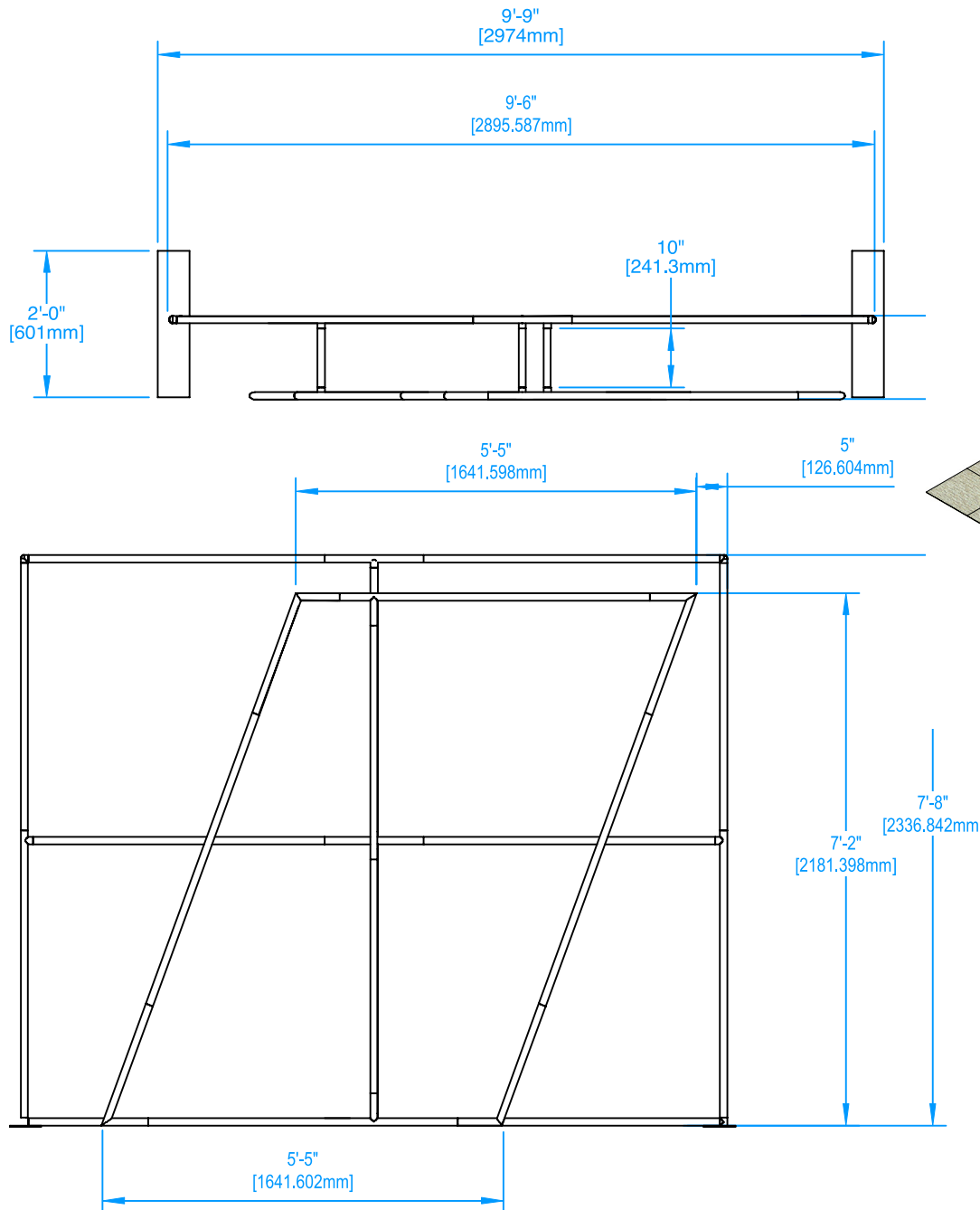
Hardware	Graphic
<p>Assembled unit: 117.5"w x 96"h x 27"d 2984.5mm(w) x 2438.4mm(h) x 685.8mm(d)</p>	<p>Total visual area: Foreground: 95"w x 85.85"h 2413mm(w) x 2180.59mm(h)</p> <p>Background: 114"w x 91.5"h 2895.6mm(w) x 2324mm(h)</p> <p>Please be sure to include a 2" bleed around the perimeter.</p>
<p>Shipping</p> <p>Shipping dimensions - ships in 2 cases: 2 OCL cases (each): 19"l x 19"w x 56"h 482.6mm(l) x 482.6mm(w) x 1422.4mm(h)</p> <p>Approximate shipping weight (entire kit): 110 lbs / 49.88 kgs</p>	<p>Refer to related graphic templates for more information</p>

additional information:

<p>Graphic materials: Dye-sublimated fabric</p>	<p>Lights included: Lumina 200 120 watt floodlight, curved arm, black finish, 19.5" from end to end</p>
---	---

We are continually improving and modifying our product range and reserve the right to vary the specifications without prior notice. All dimensions and weights quoted are approximate and we accept no responsibility for variance. E&OE. See Graphic Templates for graphic bleed specifications.

Vibe Kit 3 Dimensions:

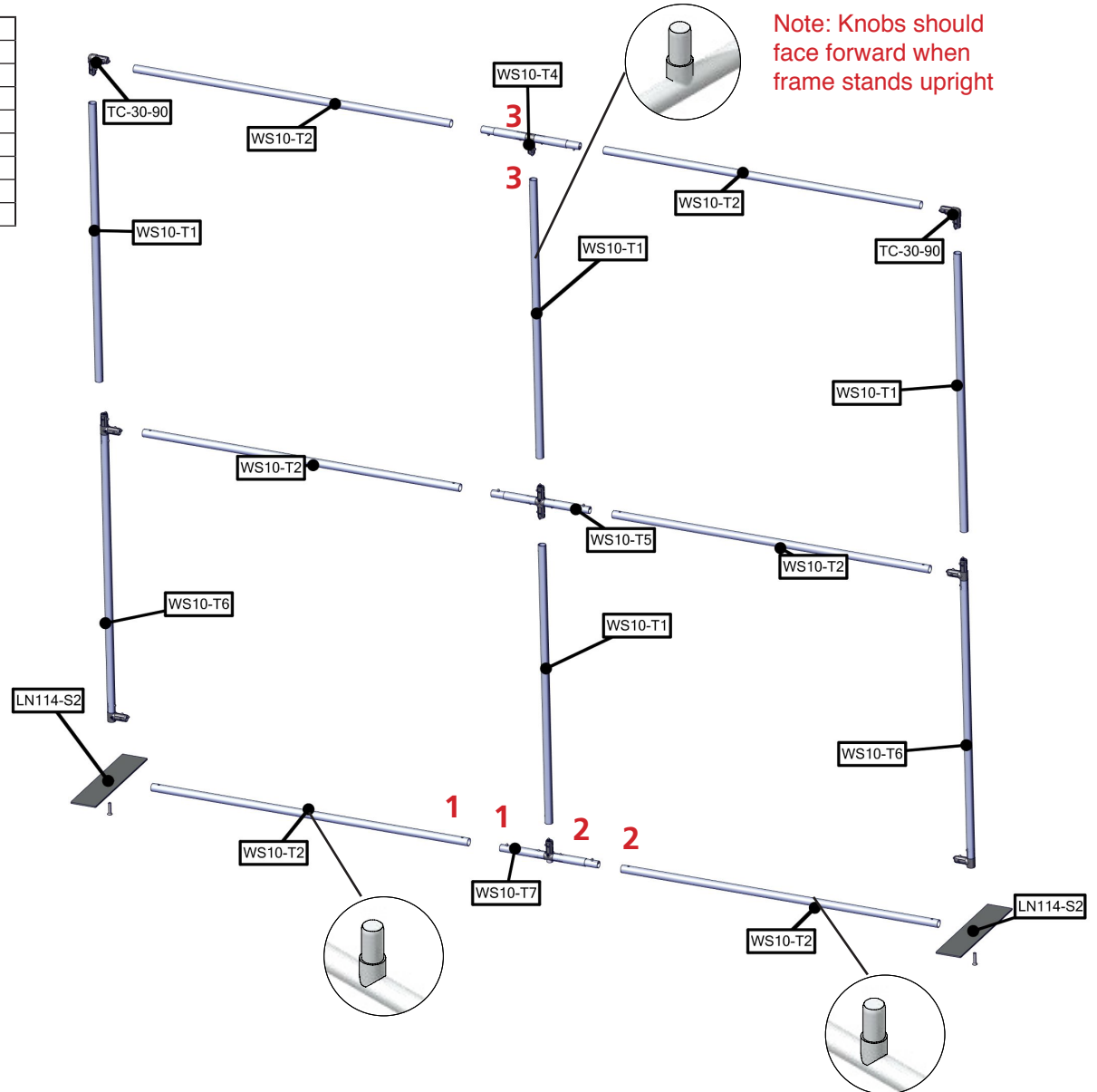
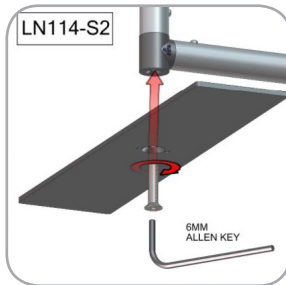
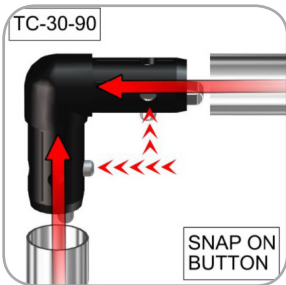
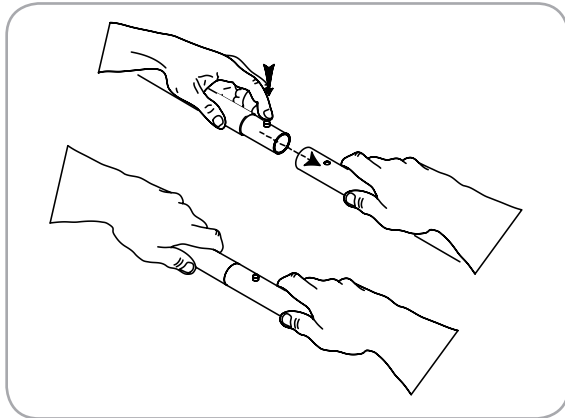


Step 1: Assemble background frame

- Lay pieces out flat and assemble in numerical order as shown. Numbers will be on the back side of the tube.
- Assemble frame corners using TC-30-90 by pushing snap buttons. Connect middle of frame with WS-10-T5.
- Once frame is connected, attach feet (LN114-S2) by screwing bolt with Allen key.

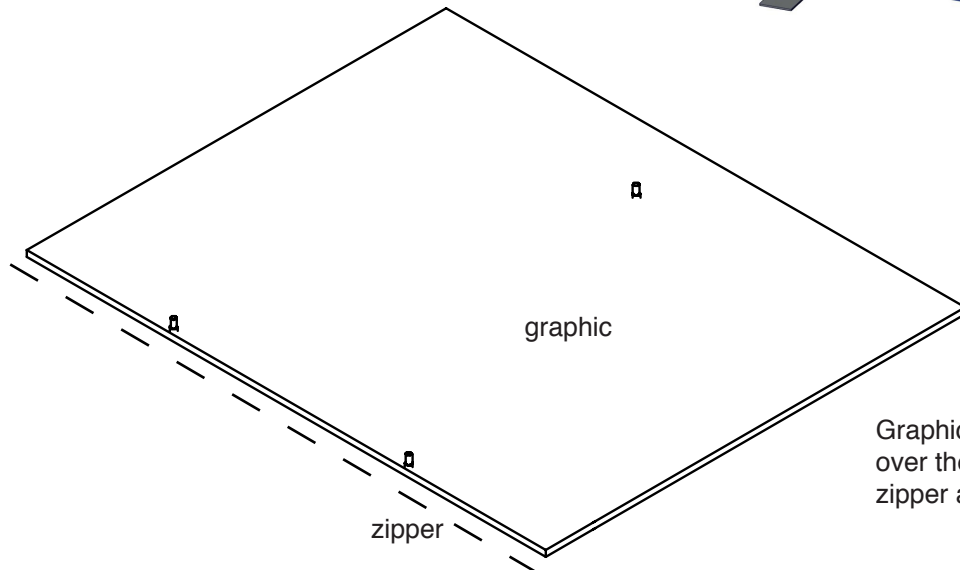
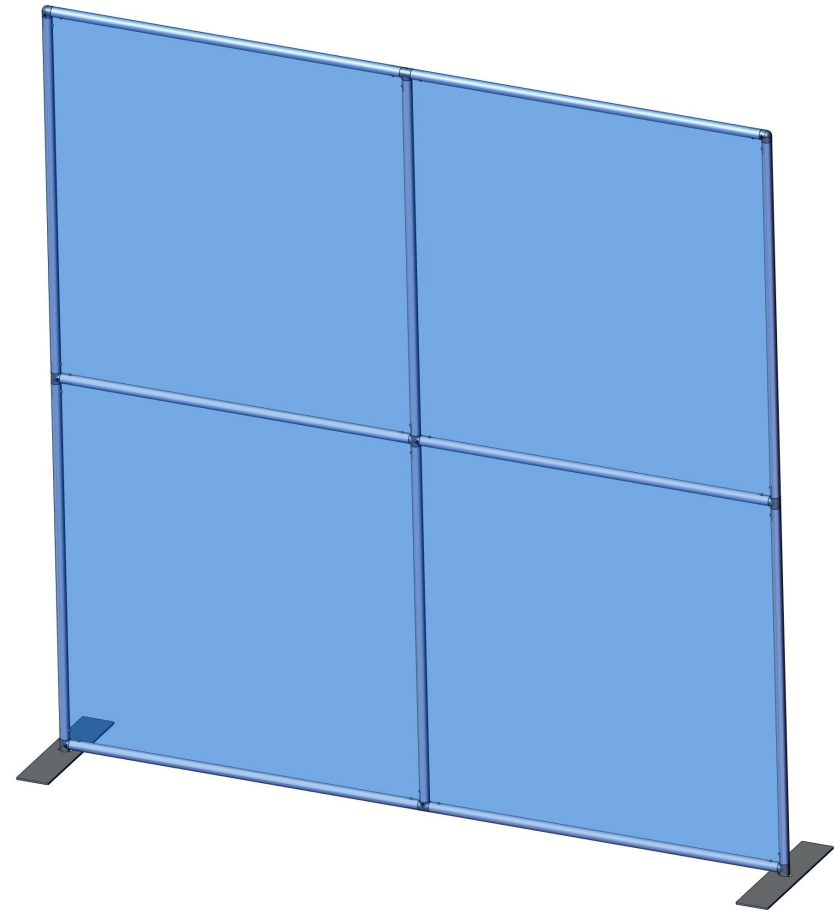
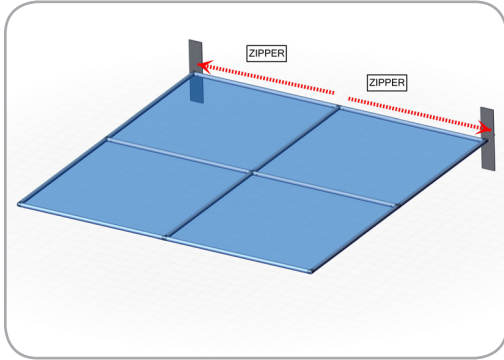
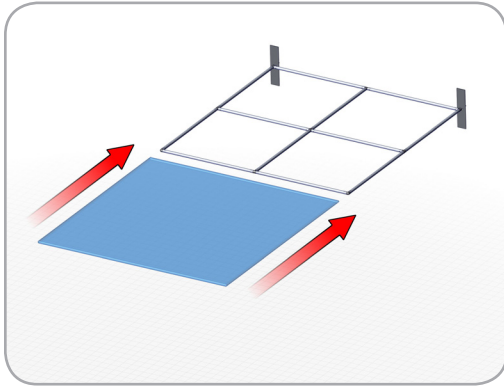
Parts Included – Straight Frame:

Code	Qty	Description
LN114-S2	x2	5MM STEEL BASE STYLE 2 FOR LINEAR
TC-30-90	x2	90 DEGREE ELBOW JOINT FOR 30MM TUBING
WS10-T1	x4	1114MM X 30MM TUBE
WS10-T2	x6	1270MM X 30MM TUBE
WS10-T4	x1	(2) 128MM TUBES SWAGED WITH PART TC-30-T
WS10-T5	x1	(2) 128MM TUBES SWAGED WITH PART TO-30-X
WS10-T6	x2	1114MM X 30MM TUBE WITH TC-30-T AND TC-30-90B
WS10-T7	x2	(2) 128MM TUBES SWAGED WITH PART TC-30-T



Step 2: Attach Graphic

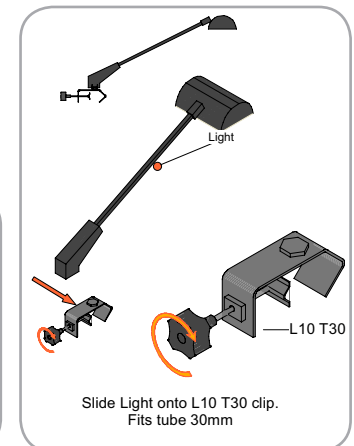
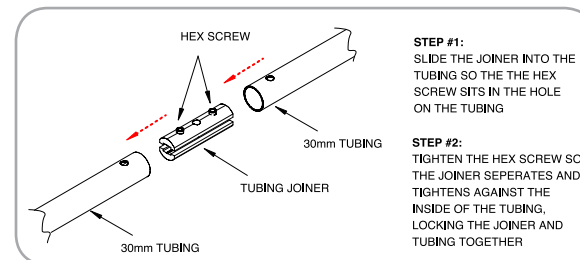
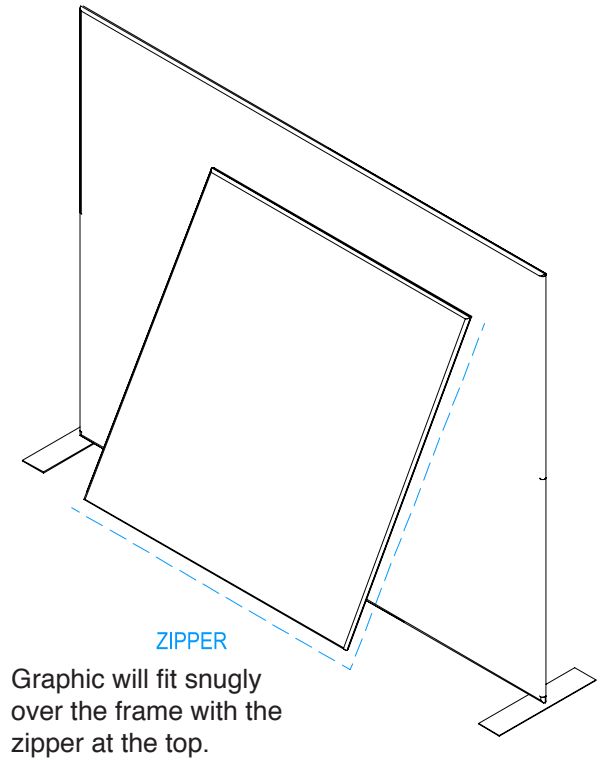
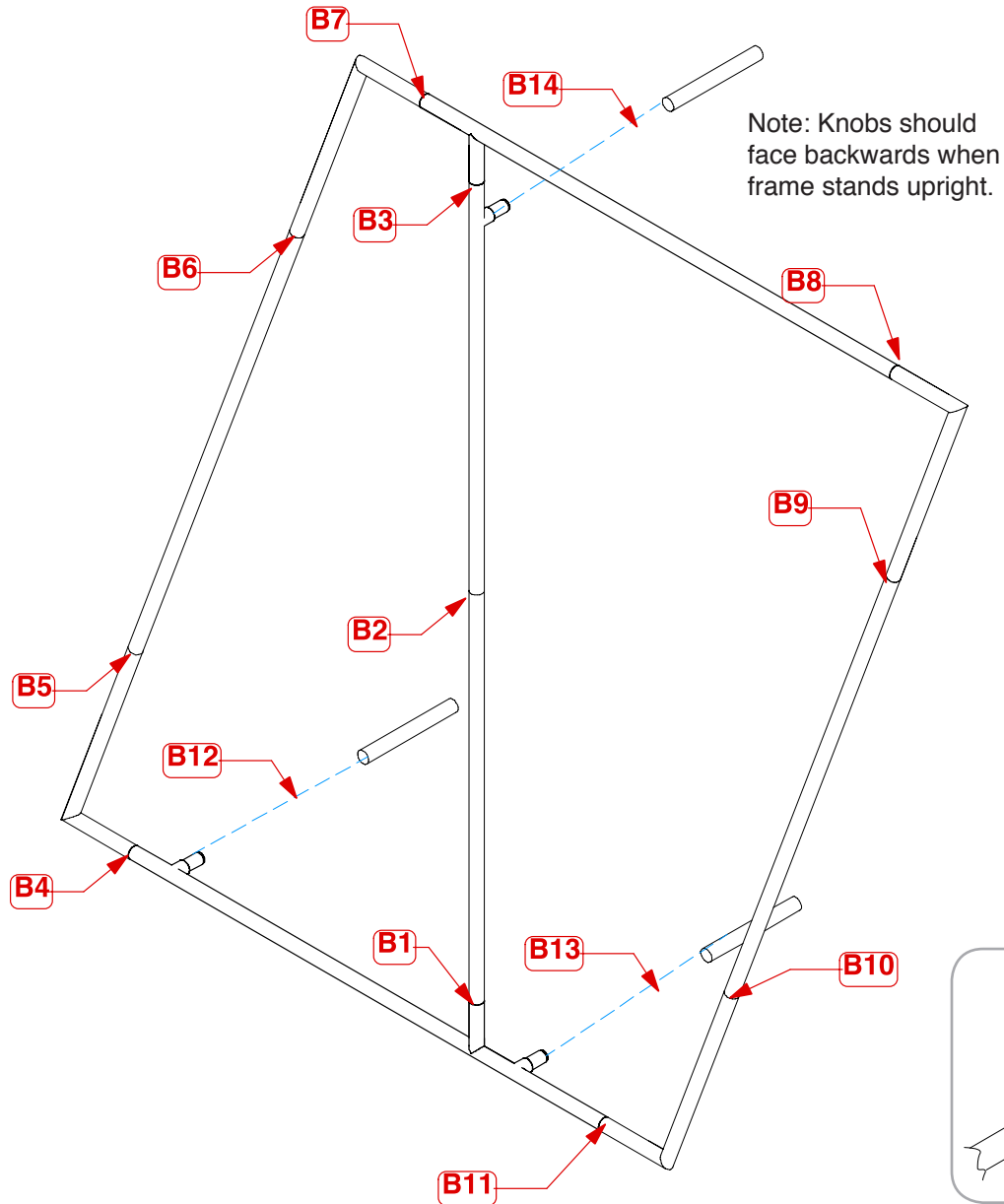
- Slide graphic over top of frame and zip closed along bottom.



Graphic will fit snugly over the frame with the zipper at the bottom.

Step 3: Assemble foreground frame

- Lay pieces out flat and assemble in numerical order as shown. Numbers will be on the back side of the tube.
- When frame is complete, stretch foreground graphic over the frame starting at the bottom. Pull tightly all the way up assuring holes in graphic align with knobs on frame and secure with zipper.
- Attach to background frame at B12, B13 & B14.
- Attach lights to back frame.



Check out these related products:



Vibe Kit 01



Vibe Kit 02



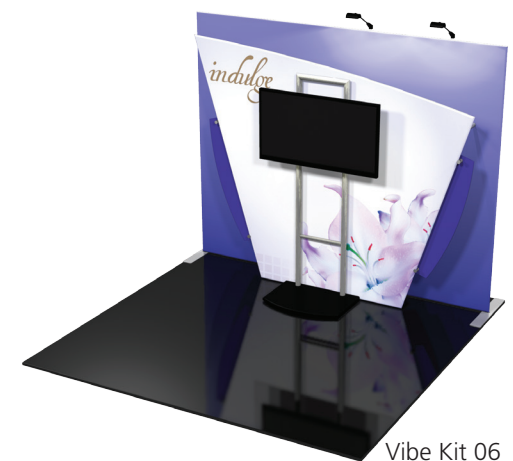
Vibe Kit 03



Vibe Kit 04



Vibe Kit 05



Vibe Kit 06
