

Vibe Kit 02

VBK-2

Vibe™ is a collection of cleverly-designed state-of-the-art 10' exhibit booths. Vibe combines light-weight aluminum structures with pillowcase dye-sublimated printed fabric graphics for a truly unique appearance and experience. Vibe is efficient, easy to assemble and disassemble and offers remarkable style options and choices.



We are continually improving and modifying our product range and reserve the right to vary the specifications without prior notice. All dimensions and weights quoted are approximate and we accept no responsibility for variance. E&OE. See Graphic Templates for graphic bleed specifications.

features and benefits:

- State-of-the-art snap button 30mm aluminum lightweight tube structure
- High-quality dye-sublimated zipper pillowcase graphics
- Easy step-by-step instructions
- Kit includes two frames, four rigid graphic accents, two fabric pillowcase graphics, and two wheeled molded cases
- Lifetime warranty on hardware against manufacturer defects

dimensions:

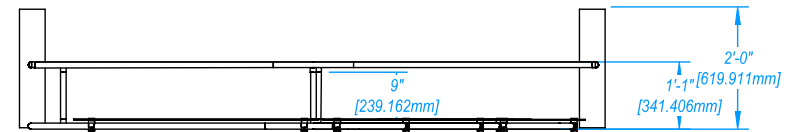
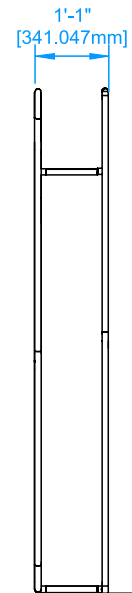
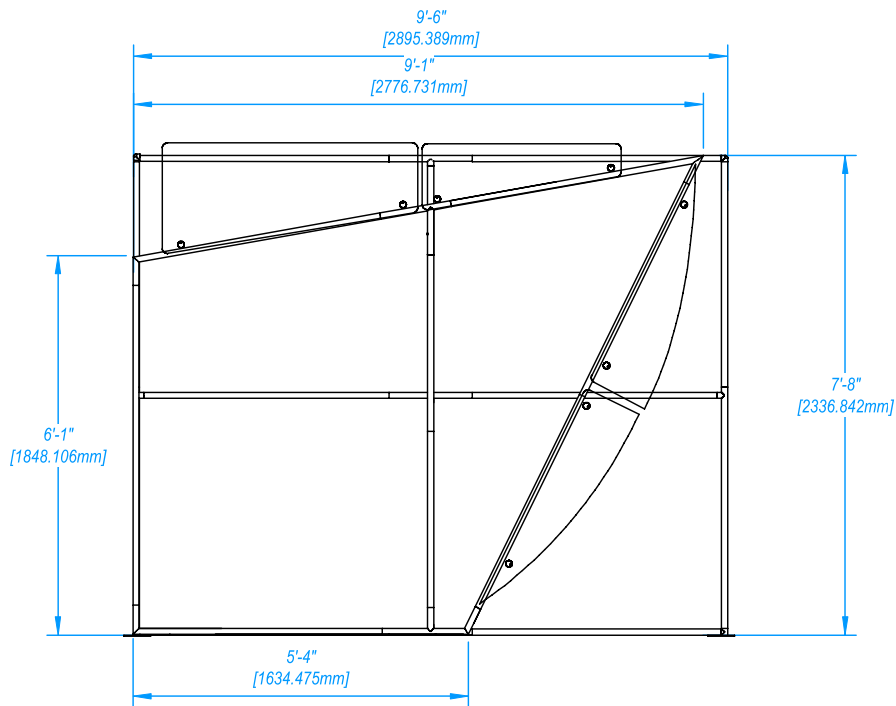
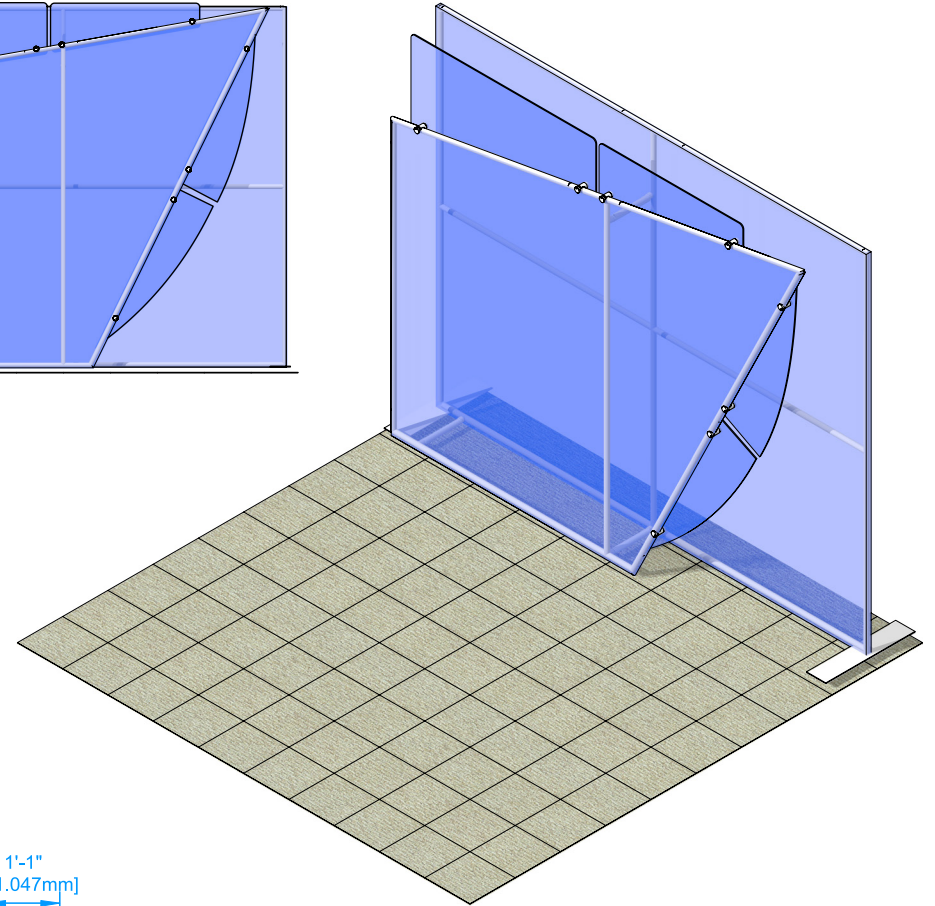
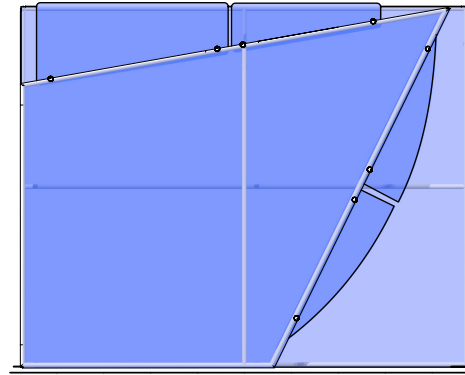
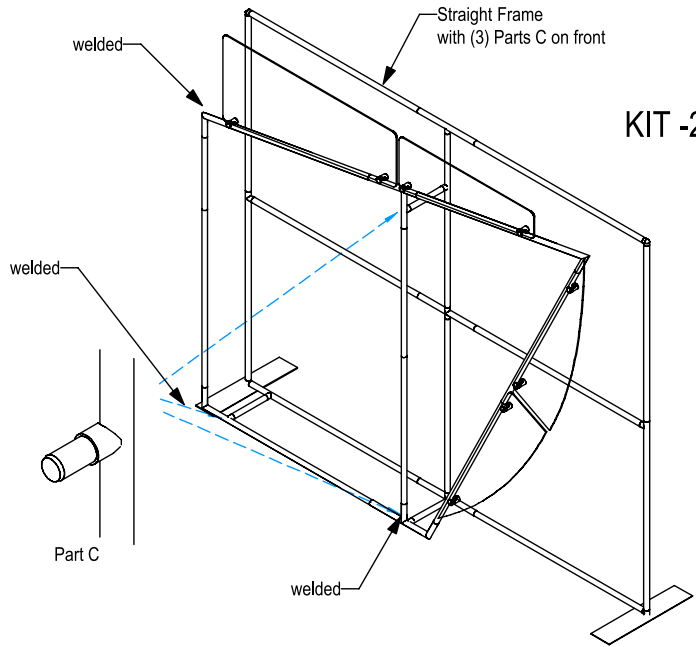
Hardware	Graphic
Assembled unit: 117.5" w x 92" h x 27" d 2984.5mm(w) x 2336.80mm(h) x 686mm(d)	Total visual area: Foreground: 108.75" w x 91.6" h 2762.25mm(w) x 2326.64mm(h)
	Background: 114" w x 92" h 2895.6mm(w) x 2336.8mm(h)
	Top left header: 48.984" w x 21.149" h 1244.19mm(w) x 537.1846 Top right
	Top right header: 38.125" w x 12.2938" h 968.375mm(w) x 312.26mm(h)
Shipping	Side top wing: 43.2" w x 11.881" h 1097.28mm(w) x 301.78mm(h)
Shipping dimensions - ships in 2 cases 2 OCL cases, each: 19" l x 19" w x 56" h 482.6mm(l) x 482.6mm(w) x 1422.4mm(h)	Side bottom wing: 42.782" w x 11.881" h 1086.66mm(w) x 301.78mm(h)
Approximate shipping weight (entire kit): 130 lbs / 58.95 kgs	Refer to related graphic templates for more information

additional information:

Graphic materials:
 Dye-sublimated fabric & UV prints on 6mm sintra

Headers and wings can be upgraded to frosted plex

Vibe Kit 2 Dimensions:

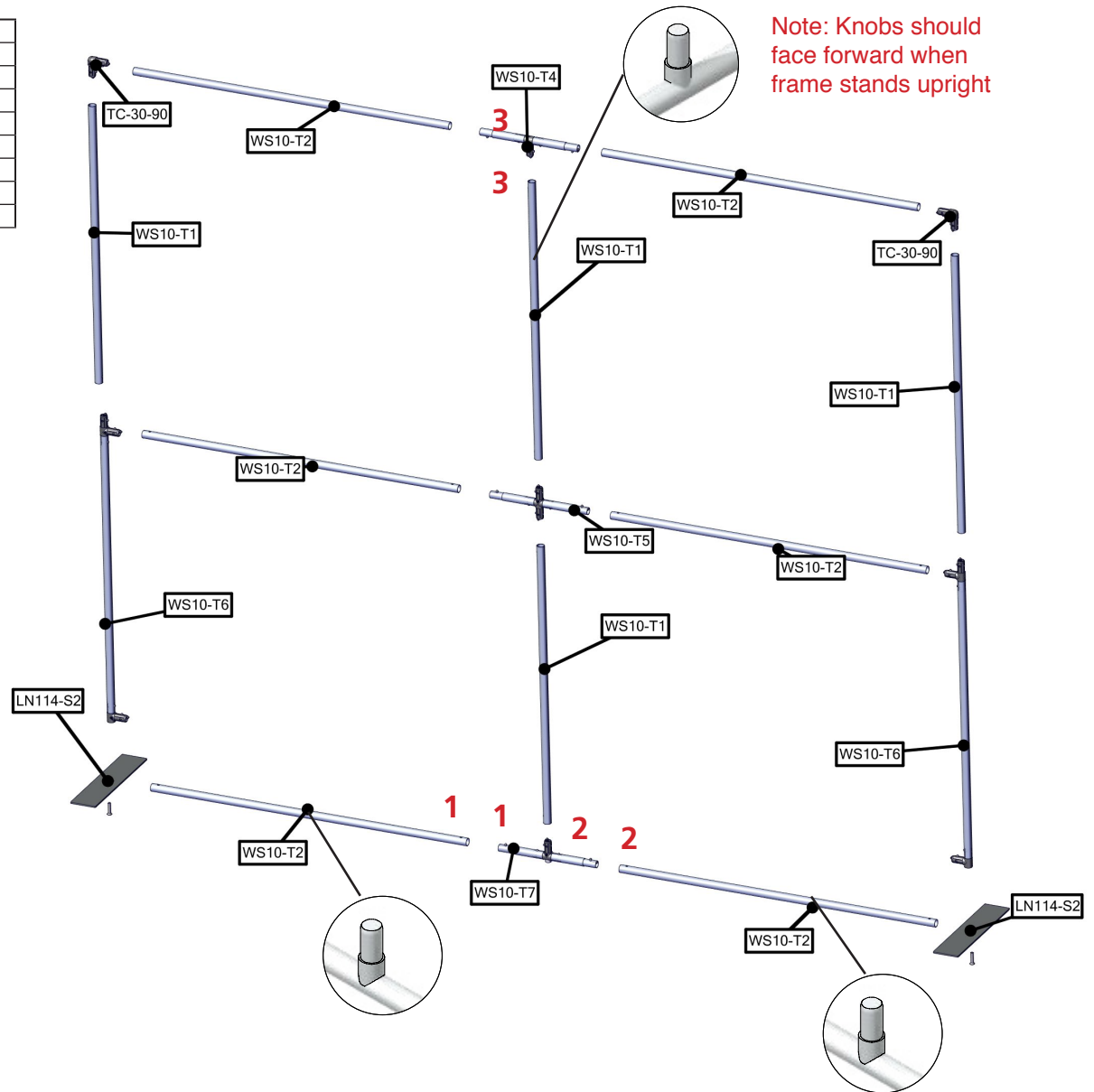
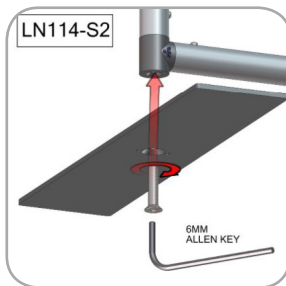
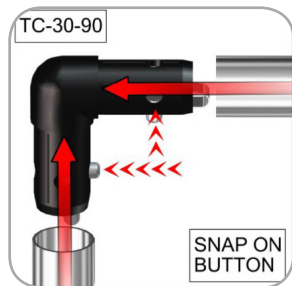
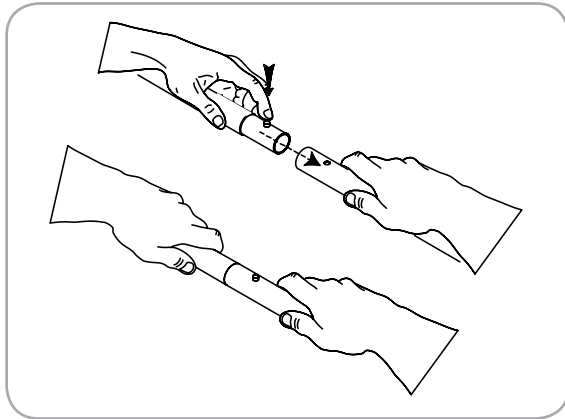


Step 1: Assemble background frame

- Lay pieces out flat and assemble in numerical order as shown. Numbers will be on the back side of the tube.
- Assemble frame corners using TC-30-90 by pushing snap buttons. Connect middle of frame with WS-10-T5.
- Once frame is connected, attach LN114-S2 by screwing bolt with Allen key.

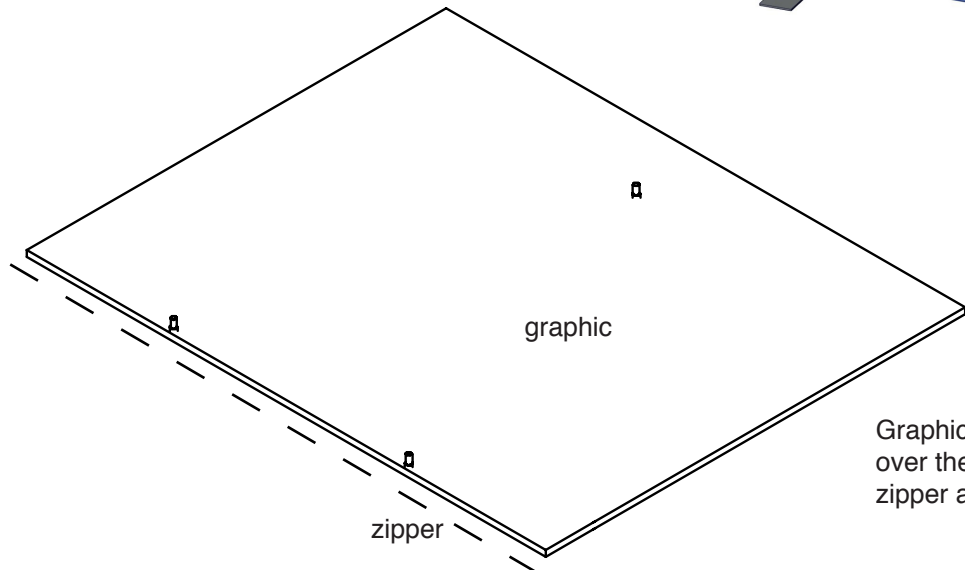
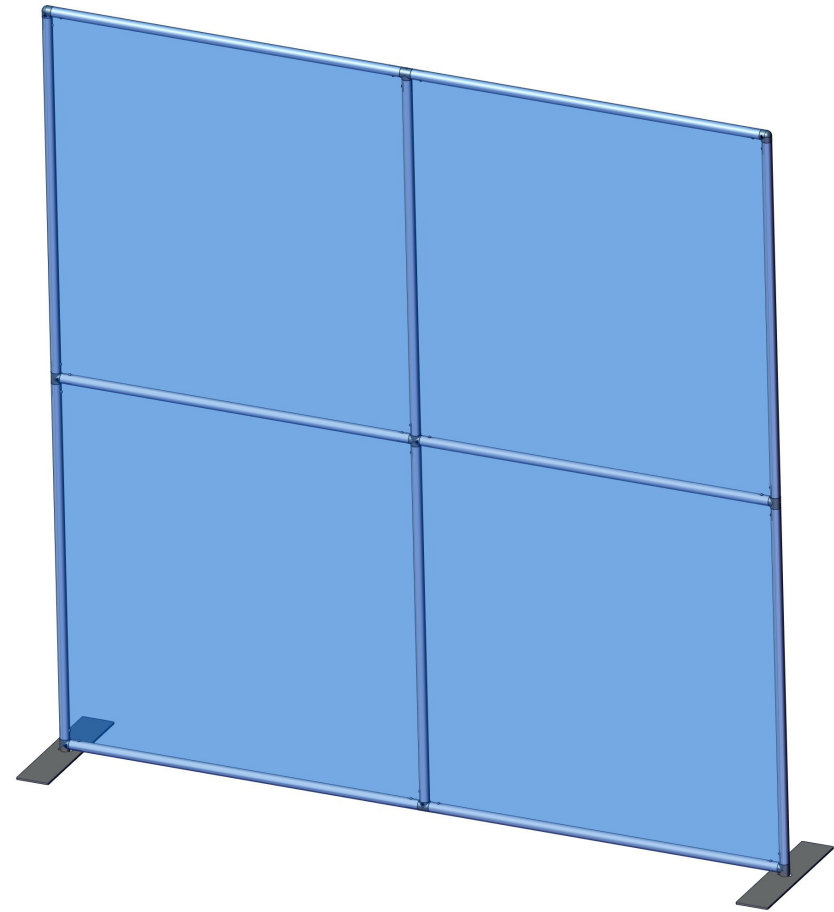
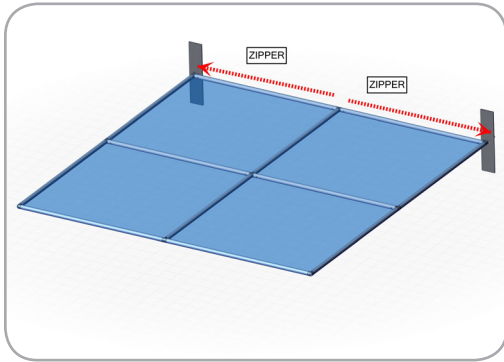
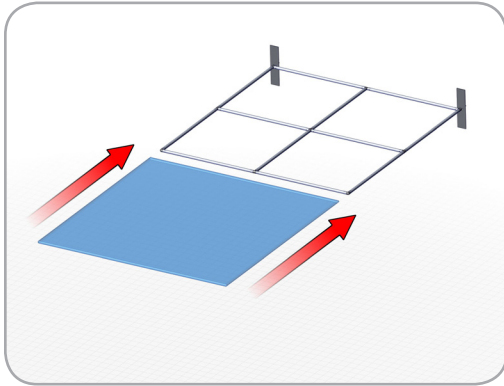
Parts Included – Straight Frame:

Code	Qty	Description
LN114-S2	x2	5MM STEEL BASE STYLE 2 FOR LINEAR
TC-30-90	x2	90 DEGREE ELBOW JOINT FOR 30MM TUBING
WS10-T1	x4	1114MM X 30MM TUBE
WS10-T2	x6	1270MM X 30MM TUBE
WS10-T4	x1	(2) 128MM TUBES SWAGED WITH PART TC-30-T
WS10-T5	x1	(2) 128MM TUBES SWAGED WITH PART TO-30-X
WS10-T6	x2	1114MM X 30MM TUBE WITH TC-30-T AND TC-30-90B
WS10-T7	x2	(2) 128MM TUBES SWAGED WITH PART TC-30-T



Step 2: Attach Graphic

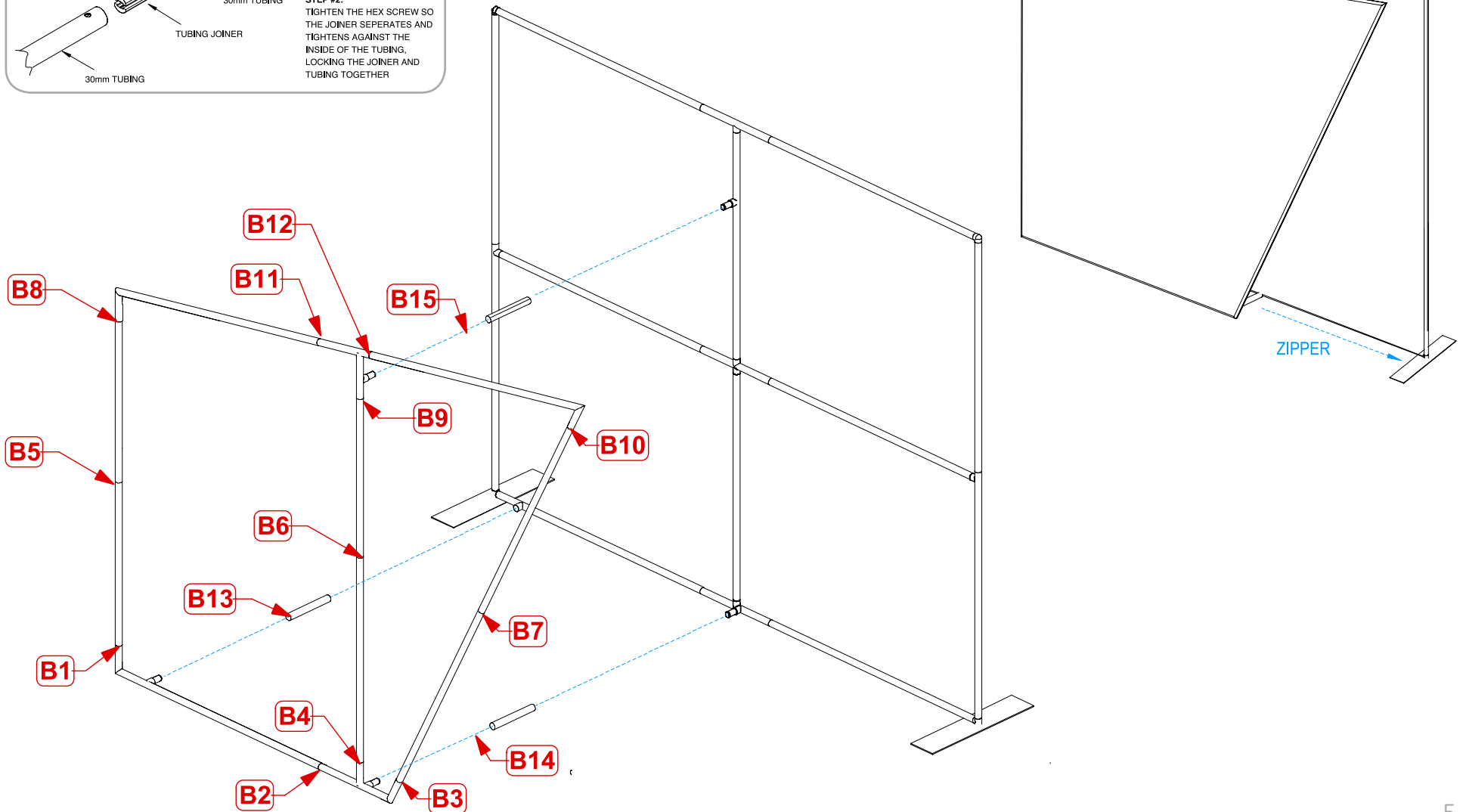
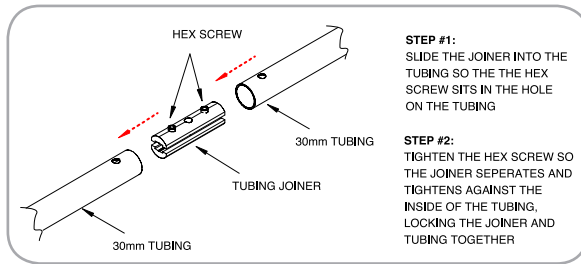
- Slide graphic over top of frame and zip closed along bottom.



Graphic will fit snugly over the frame with the zipper at the bottom.

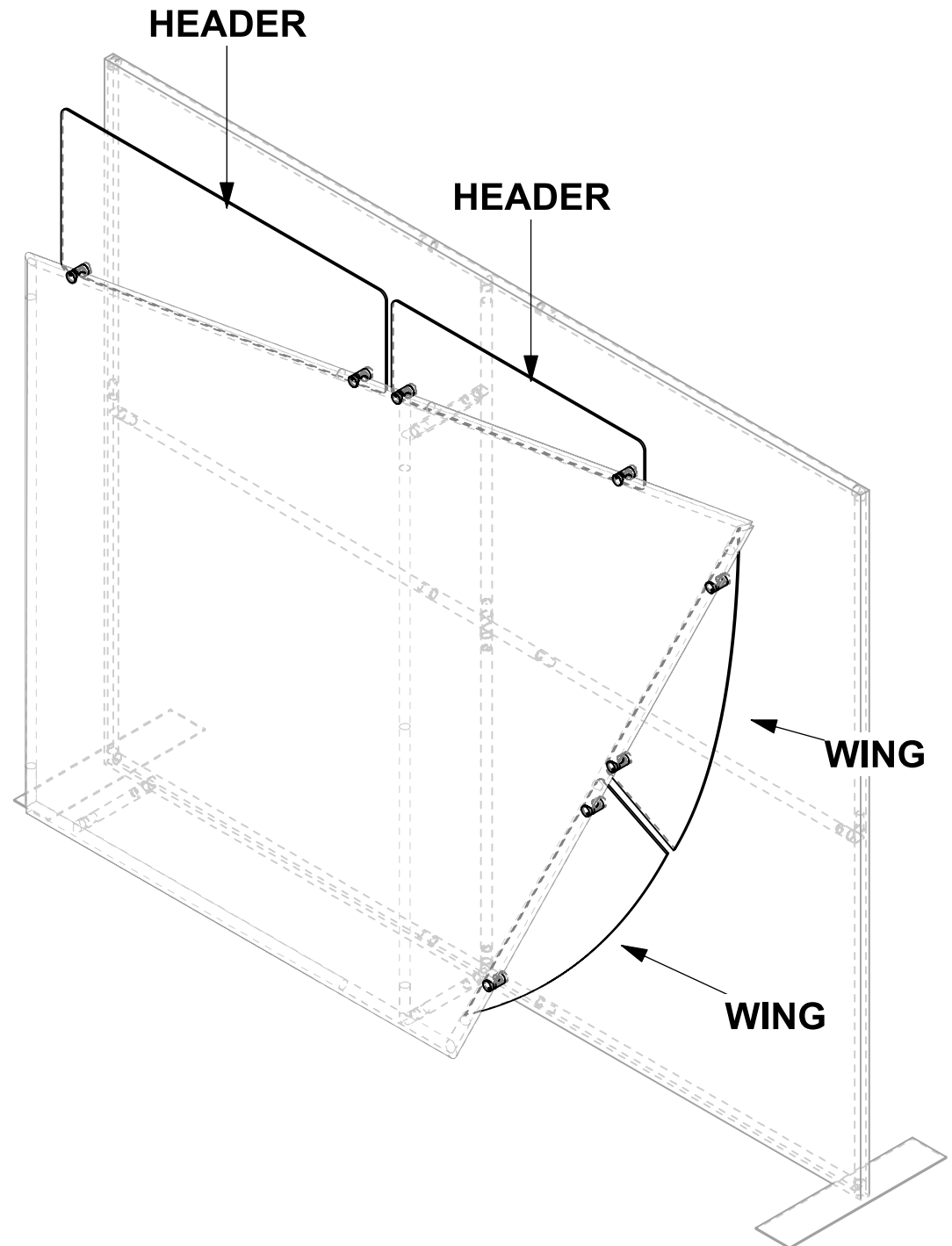
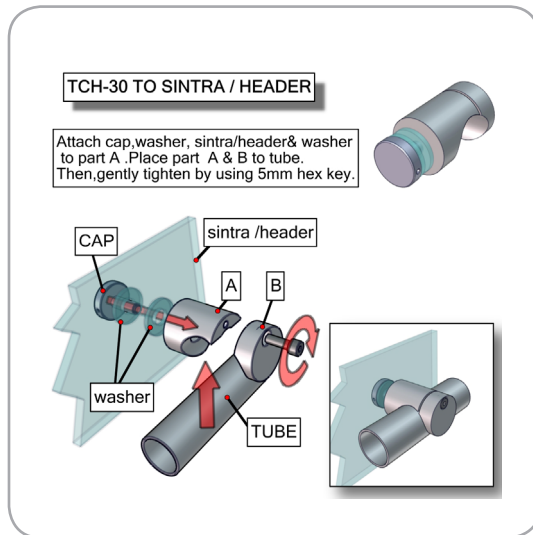
Step 3: Assemble foreground frame

- Lay pieces out flat and assemble in numerical order as shown. Numbers will be on the back side of the tube.
- When frame is complete, stretch foreground graphic over the frame starting at the bottom. Pull tightly all the way up assuring holes in graphic align with knobs on frame and secure with zipper.
- Attach foreground frame to background frame at B13, B14 & B15



Step 4: Attach Header

- Attach header to foreground frame where designated in diagram. Use tube clamp and header attachment detail below.



Check out these related products:



Vibe Kit 01



Vibe Kit 02



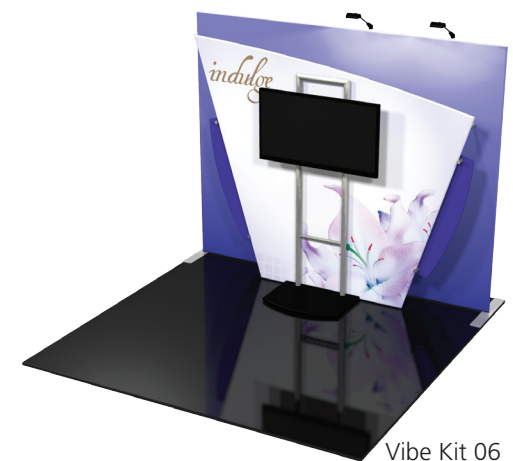
Vibe Kit 03



Vibe Kit 04



Vibe Kit 05



Vibe Kit 06
