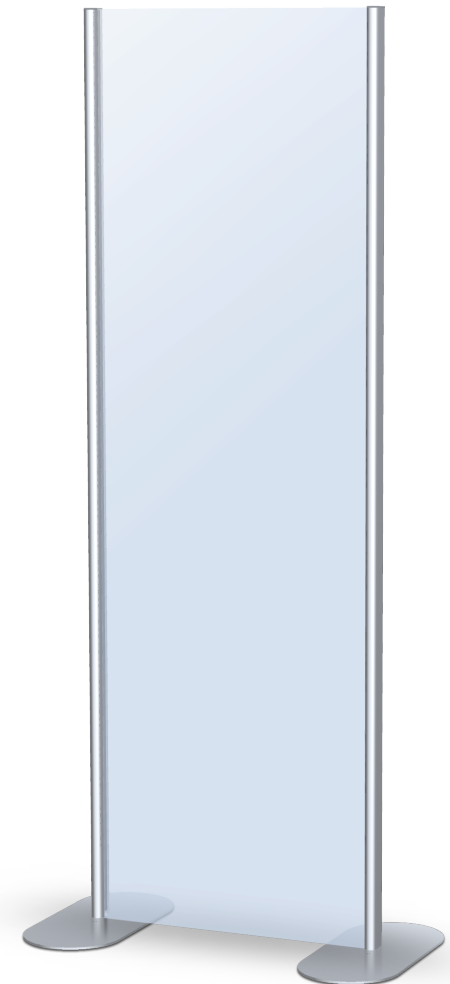
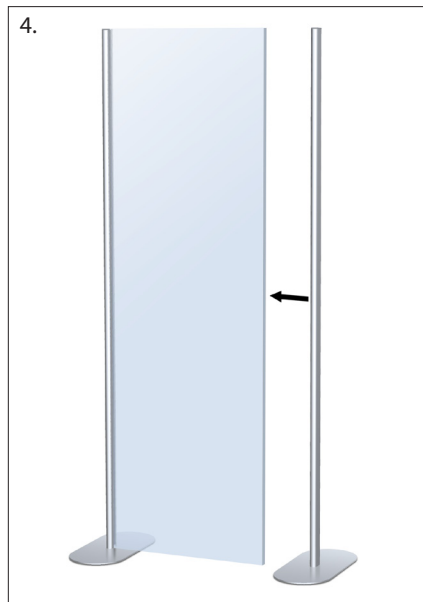
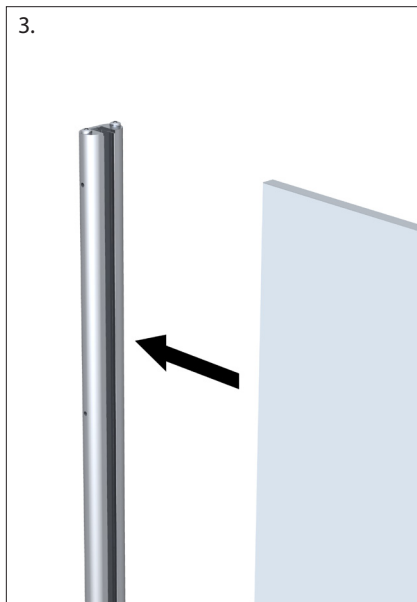
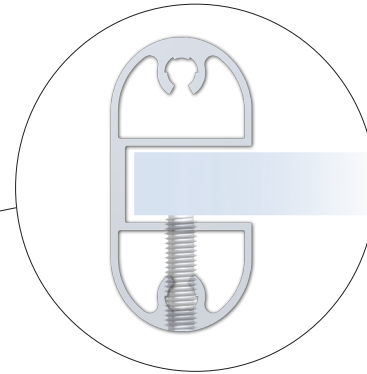
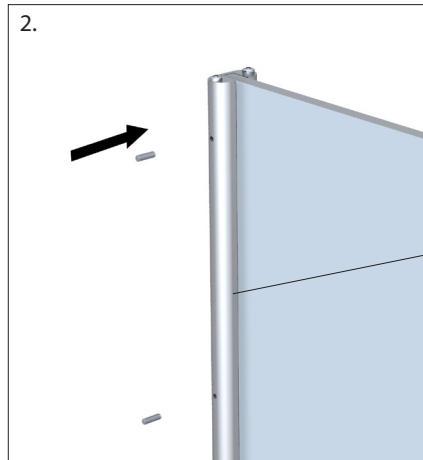
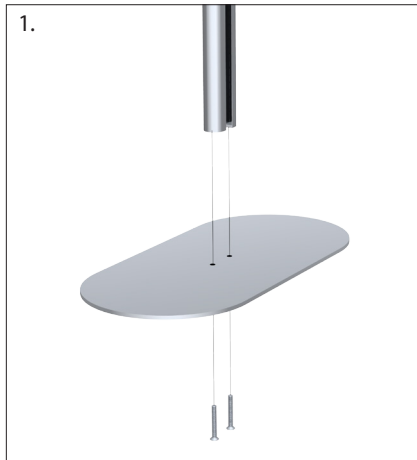


Skyscraper Mightee Mount™ - SKMM Series

1. Attach upright to bases using screws provided.
2. Place graphic in the upright channel.
3. Fasten graphic into place using headless set screws provided.
4. Attach second upright to graphic and fasten using headless set screws provided.

NOTE: Model shown below may differ from your model, but assembly instructions remain the same.



SKMM6 shown

Skyscraper Mightee Mount™ - with SKCU, SKRA

1. Attach upright to base using screws provided.
2. Place graphic in the upright channel.
3. Fasten graphic into place using headless set screws provided.
4. Attach next upright to graphic.
5. Fasten graphic into place using headless set screws provided.

NOTE: Model shown below may differ from your model, but assembly instructions remain the same.

