

Orient 2

ONT-800-DBL-S-4
ONT-920-DBL-S-4

The Orient is a simplistic and elegantly designed banner stand that has the capability to be double sided. Dual retractor mechanisms allow you to present two graphics back to back. It is finished in anodized silver with heavy duty molded endplates. Padded carry bag is included.



features and benefits:

- Variable graphic height: 60.5" - 83.25"
- Anodized silver base
- Hybrid pole with toolless bungee/ telescoping quick rail
- Adjustable feet on base
- Molded endplates
- Supplied with a padded carry bag with strap
- Lifetime limited warranty against all manufacturers defects

dimensions:

Hardware

Assembled unit:

800mm: 32.68"w x 84.75"h x 7.28"d
830mm(w) x 2153(h) x 185mm(d)

920mm: 37.49"w x 84.75"h x 7.28"d
950mm(w) x 2153mm(h) x 185mm(d)

Base dimensions:

800mm: 32.68"w x 3.15"h x 7.28"d
830mm(w) x 80mm(h) x 185mm(d)

920mm: 37.49"w x 3.15"h x 7.28"d
950mm(w) x 80mm(h) x 185mm(d)

Shipping

Shipping dimensions - ships in one box

800mm: 37"l x 10"h x 5"d
940mm(l) x 254mm(h) x 127mm(d)

920mm: 39"l x 12"h x 6"d
991mm(l) x 305mm(h) x 154.4mm(d)

Approximate shipping weight (w/o graphic):

800mm: 13 lbs / 5.90 kgs

920mm: 15 lbs / 6.8 kgs

Graphic

Refer to related graphic template for more information.

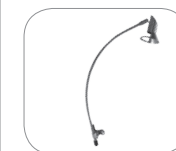
WARNING: Always attach graphic to base and top rail before removing the locking pin. After fitting, the graphic should be left for 24 hours before use to ensure the adhesive bonds sufficiently. Opening the base will invalidate the product warranty.

additional information:

Graphic materials:

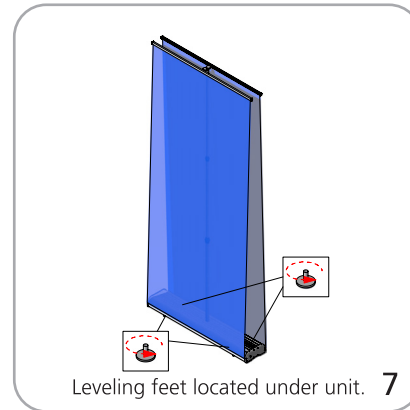
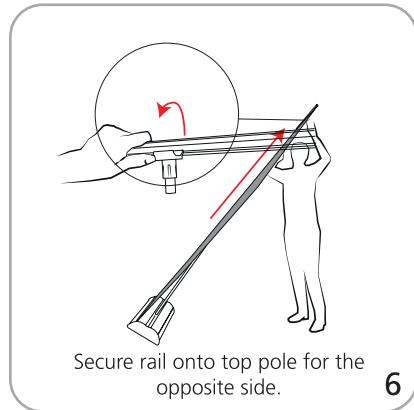
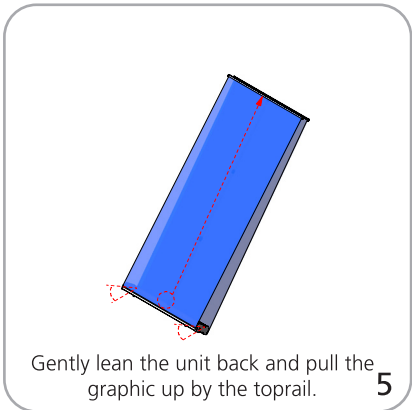
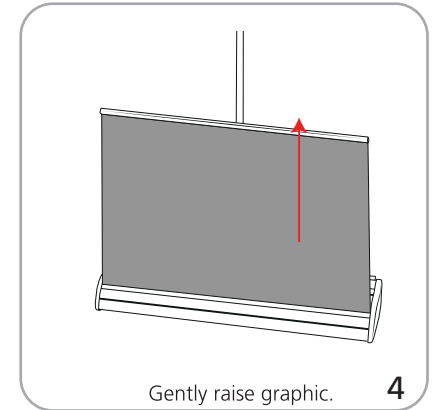
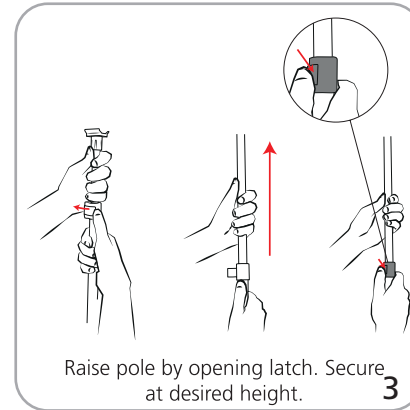
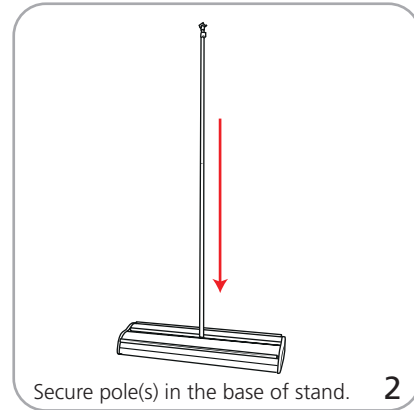
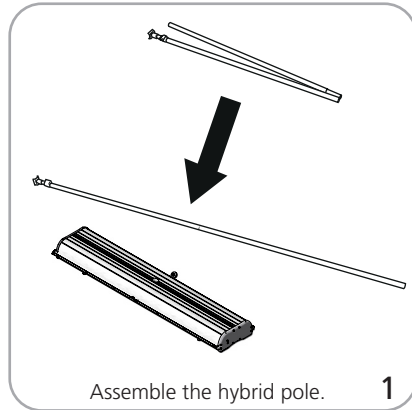
14oz anti-curl vinyl, premium 100% opaque fabric, 11 mil melinex

Lumina 2 banner lighting option available

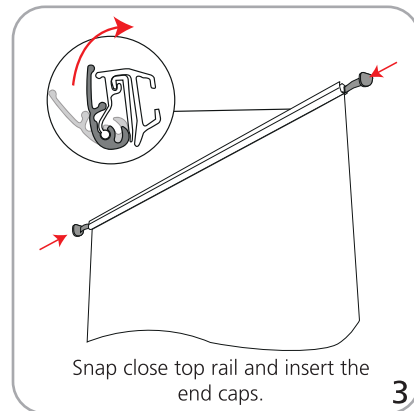
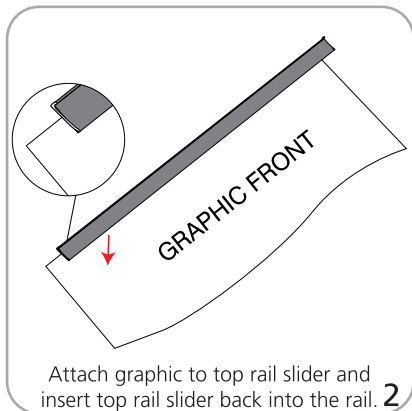
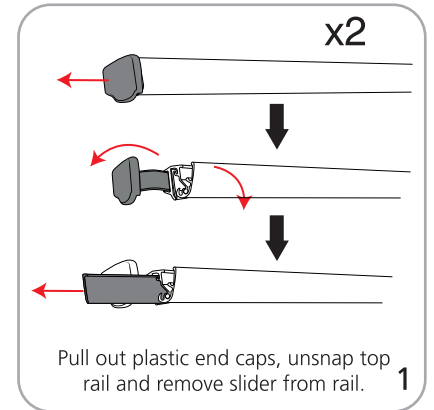


We are continually improving and modifying our product range and reserve the right to vary the specifications without prior notice. All dimensions and weights quoted are approximate and we accept no responsibility for variance. E&OE. See Graphic Templates for graphic bleed specifications.

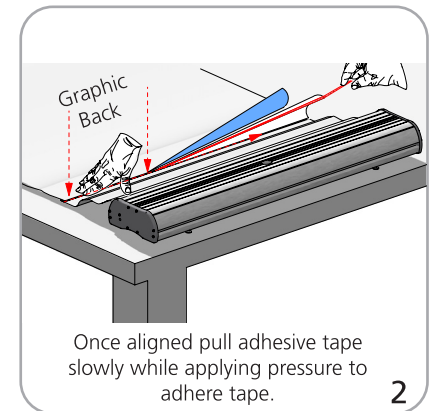
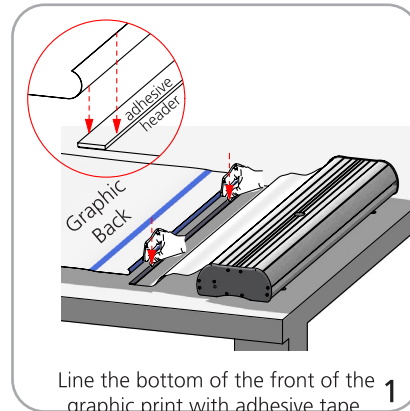
Set-up

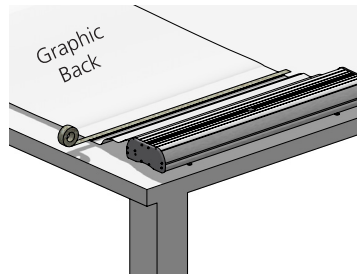


Graphic to top rail attachment



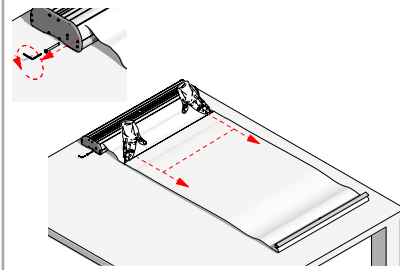
Graphic to base attachment





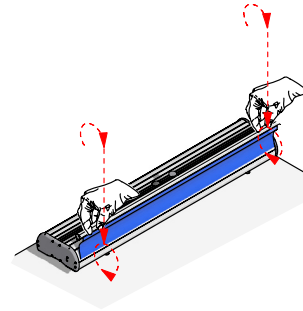
Place additional masking tape for extra protection.

3



Remove pin while holding onto the graphic so the graphic does not retract back in quickly.

4



Slowly retract the graphic back into the base.

5