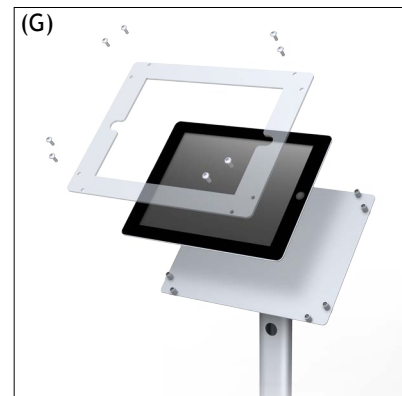
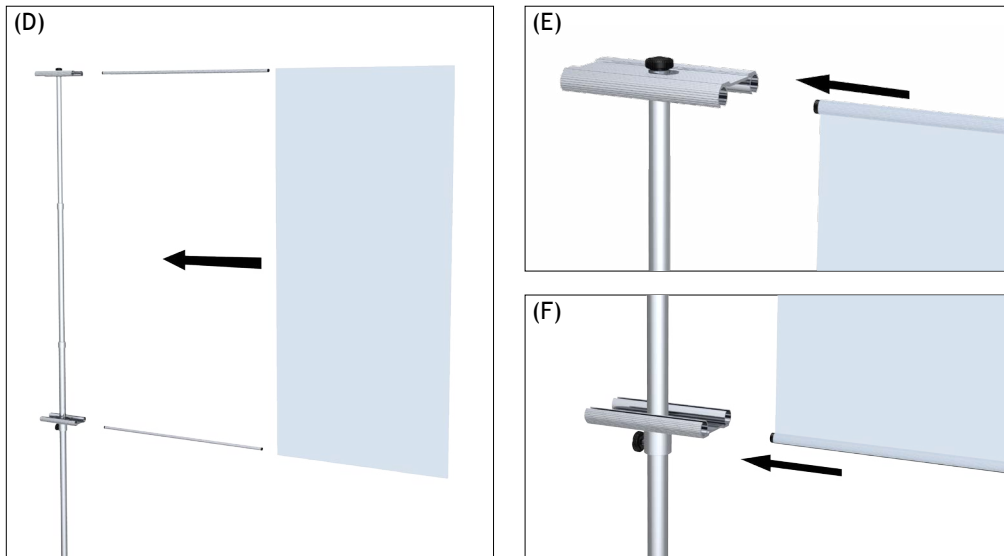
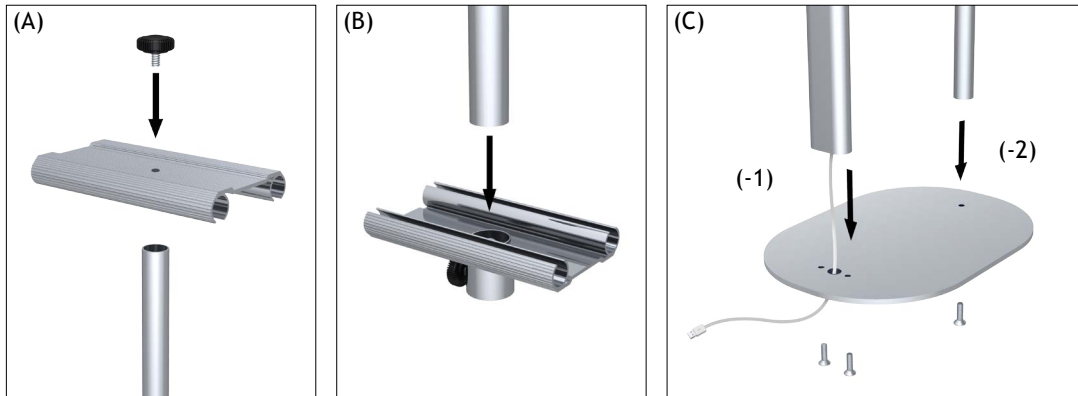


Signholders (iPad Stand)

Applicable Products:

IPHB2

1. Mount top dowel holder to telescopic tube using knob provided (fig. A).
2. Slide bottom of telescopic pole through bottom dowel holder and tighten knob at desired mounting position (fig. B).
3. Align iPad upright over base. Feed iPad cord through center hole and screw into place using two (2) Philips head screws (fig. C-1).
4. Align telescopic pole over base and screw into place using Philips head screw provided (fig. C-2).
5. Slide banner pole pockets over dowels (fig. D).
6. Insert top dowel into top dowel holder (fig. E).
7. Insert bottom dowel into bottom dowel holder (fig. F).
8. Remove acrylic cover using small tamper-proof key provided. Place iPad inside and reassemble unit (fig. G). If ball joint loosens on back, use the large tamper-proof key to retighten it securely.



IPHB2-S shown