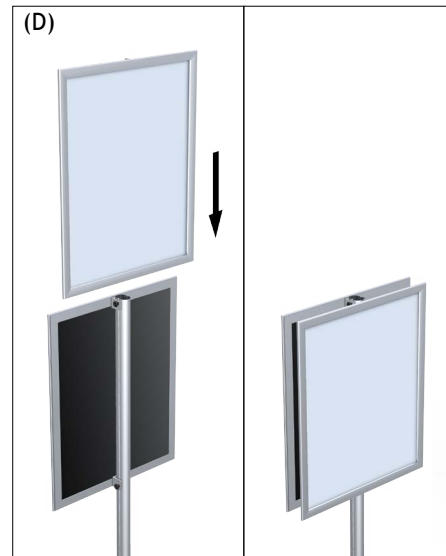
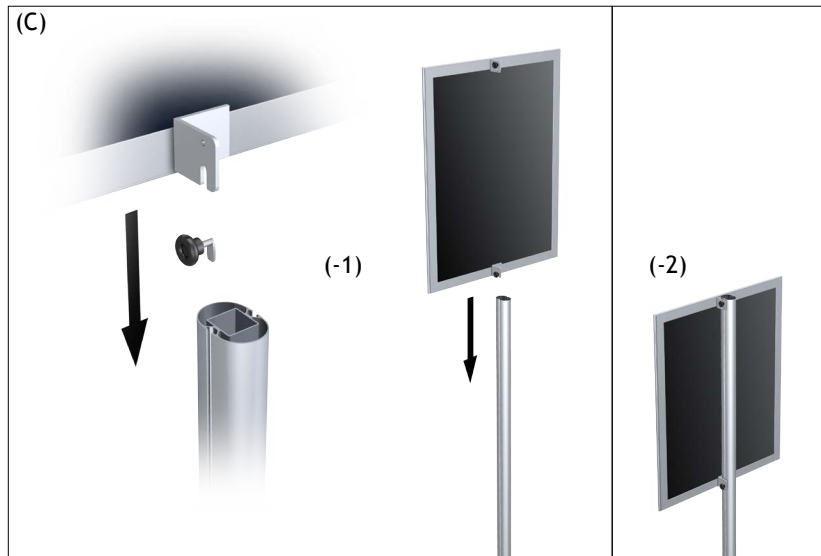
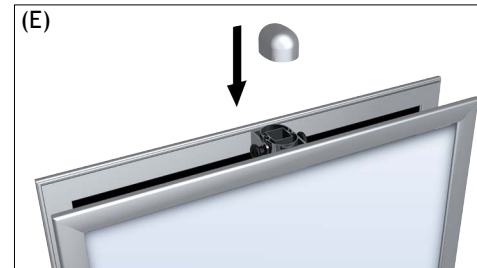
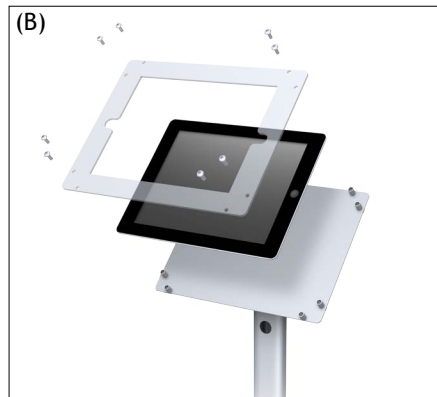
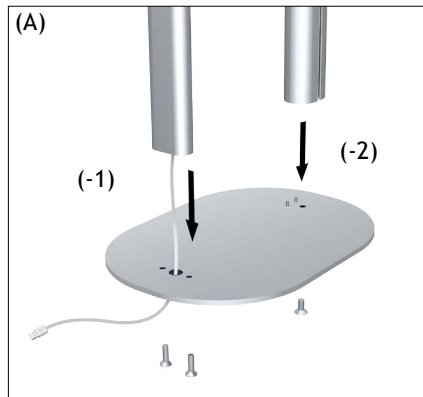


Signholders (iPad Stand)

1. Align iPad upright over base. Feed iPad cord through center hole and screw into place using two (2) Philips head screws (fig. A-1).
2. Align frame upright over base and screw into place using Allen screw provided (fig. A-2).
3. Remove acrylic cover using small tamper-proof key provided. Place iPad inside and reassemble unit (fig. B). If ball joint loosens on back, use the large tamper-proof key to retighten it securely.
5. Align knob rest glides/frame brackets with the upright channel. Slide knob rest glides into upright channel, sandwich bracket in between, and tighten to secure frame bracket to the upright (fig. C-2).
6. Repeat for opposite frame (fig. D) **(for IPF2 only)**
7. Press cap into upright to finish unit. (fig. E).

Note: Frames shown below are IPF Easy-Open frames, but setup is the same for the IPF Perfex frames.



Applicable Products:

- IPF1 (Single Frame)
- IPF2 (Double Frame)



IPF2E07 shown