

Formulate 20' Serpentine - Kit 6

FMLT-WSC20-06

Formulate™ is a collection of sophisticated, ergonomically designed exhibit booths. Formulate combines state-of-the-art zipper pillowcase dye-sublimated fabric coverings with advanced lightweight aluminum structures to provide unique design, functionality, and style. The excellence of the Formulate line of displays, hanging structures and products is simply unmatched. Stretch fabric graphics are hand-sewn, durable and dry-cleanable.



features and benefits:

- State-of-the-art 50mm aluminum tubing with heavy duty internal spigot connectors
- Easy to store and ship
- Quick to assemble and attach to frame
- Kit includes: one frame, one dye-sublimated zipper pillowcase graphic, stand-off pillowcase fabric graphic, and two wheeled molded OCL shipping cases
- Lifetime hardware warranty against manufacturer defects

dimensions:

Hardware	Graphic
<p>Assembled unit: 226" w x 93.15" h x 32.6" h 5740mm(w) x 2366mm(h) x 828mm(h)</p> <p>Stand-off pillowcase graphic: 23.6" w x 92.7" h x 17.7" d</p> <p>Approximate weight (includes graphic): 92 lbs / 41.7 kg</p>	<p>Total visual area: 236.5" w x 92" h s-curve 6007mm(w) x 2337mm(h)</p> <p>Stand-off ladder total visual area: 23.6" w x 97" h</p> <p>Please be sure to include a 2" bleed around the perimeter.</p> <p>Refer to related graphic template for more information.</p>
<p>Shipping</p> <p>Shipping dimensions - ships in 2 cases: 2 OCL cases (each): 19" l x 19" w x 56" h</p> <p>Approximate shipping weight (with case): 162 lbs / 73.5 kg</p>	<p>Visit: www.exhibitors-handbook.com/graphic-templates</p>

additional information:

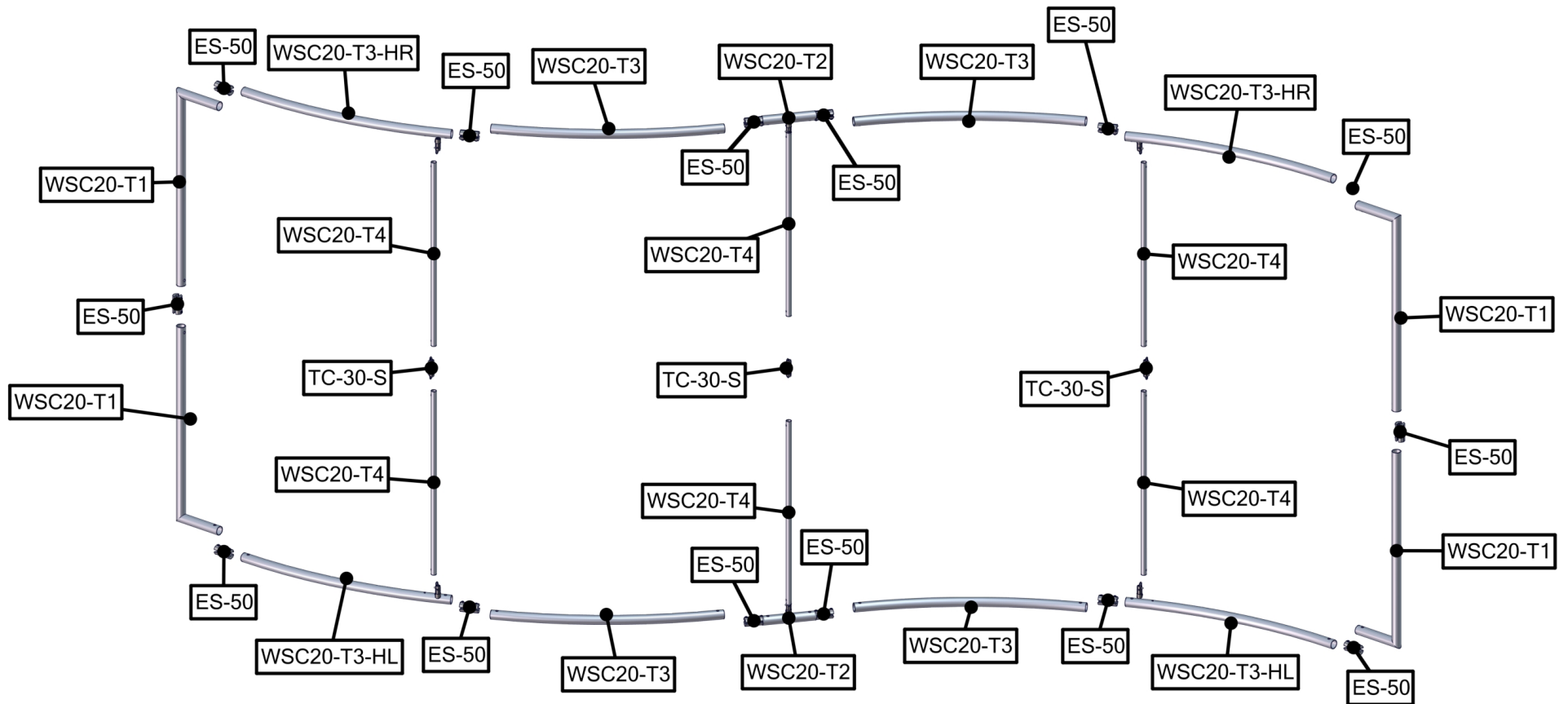
Graphic material:
dye-sublimated zipper pillowcase fabric

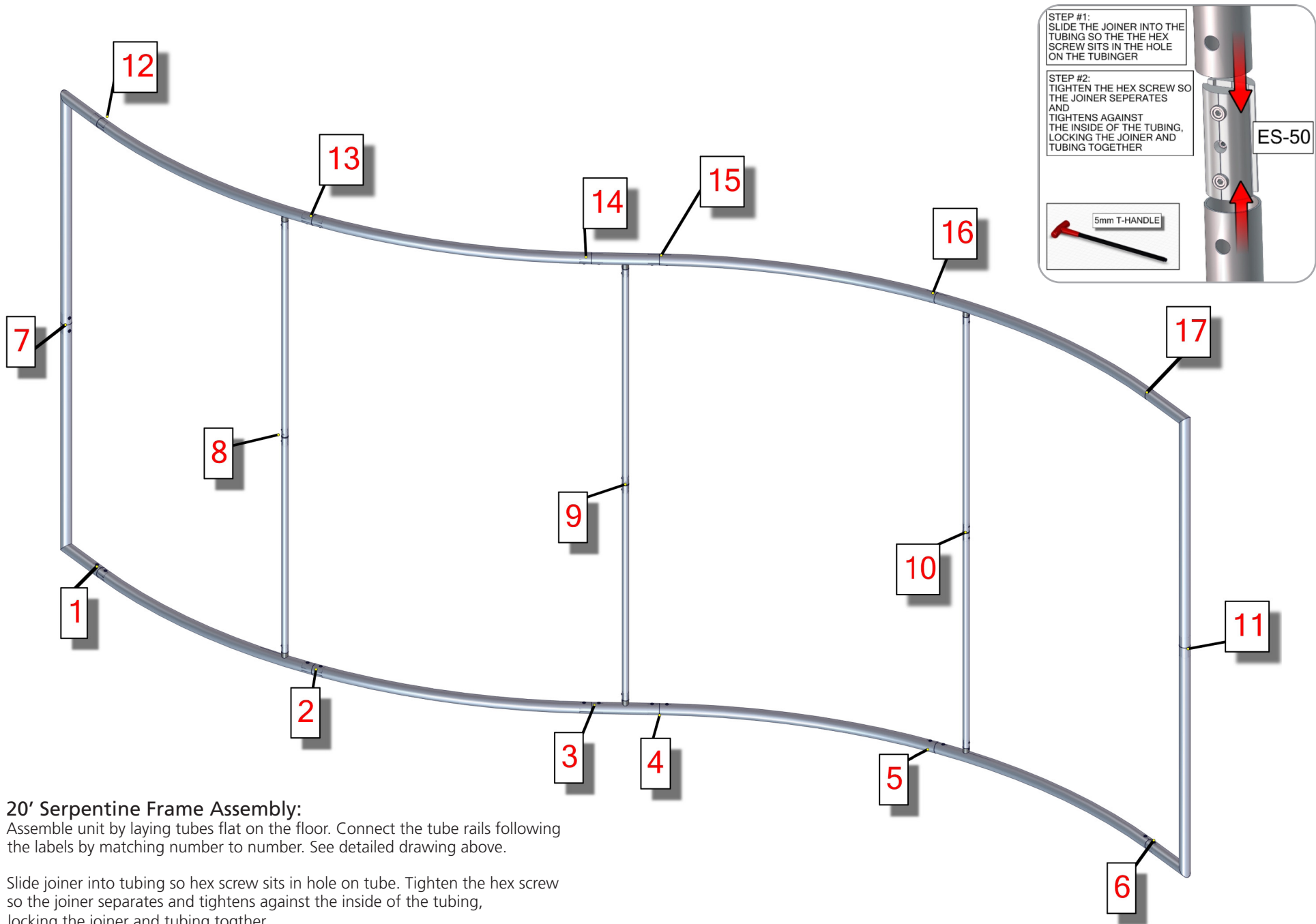


www.display-setup-animations.com

We are continually improving and modifying our product range and reserve the right to vary the specifications without prior notice. All dimensions and weights quoted are approximate and we accept no responsibility for variance. E&OE. See Graphic Templates for graphic bleed specifications.

Parts Included		
Part Label	Qty	Part Code
EXPANDING SPIGOT FOR 50MM TUBE	x14	ES-50
20' FABRIC GRAPHIC	x1	WSC20-01-G
INLINE CONNECTOR FOR 30MM TUBING	x3	TC-30-S
50MM CORNER TUBE	x4	WSC20-T1
300MM X 50MM TUBE	x2	WSC20-T2
R2736MM X 50MM TUBE	x4	WSC20-T3
R2736MM X 50MM CURVED TUBE WITH HOLE RIGHT SIDE	x2	WSC20-T3-HR
R2736MM X 50MM CURVED TUBE WITH HOLE LEFT SIDE	x2	WSC20-T3-HL
1093MM X 30MM TUBE	x6	WSC20-T4





20' Serpentine Frame Assembly:

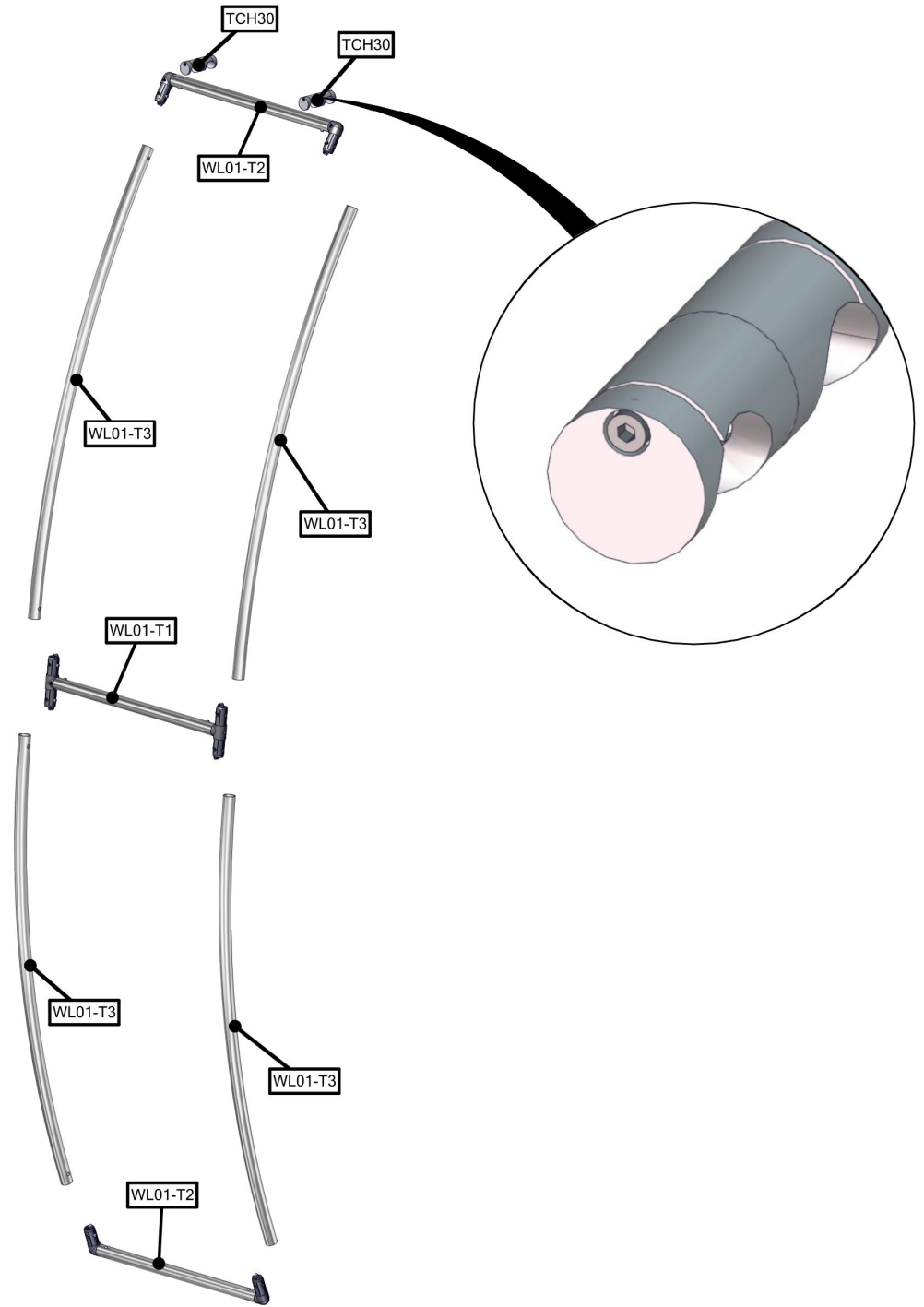
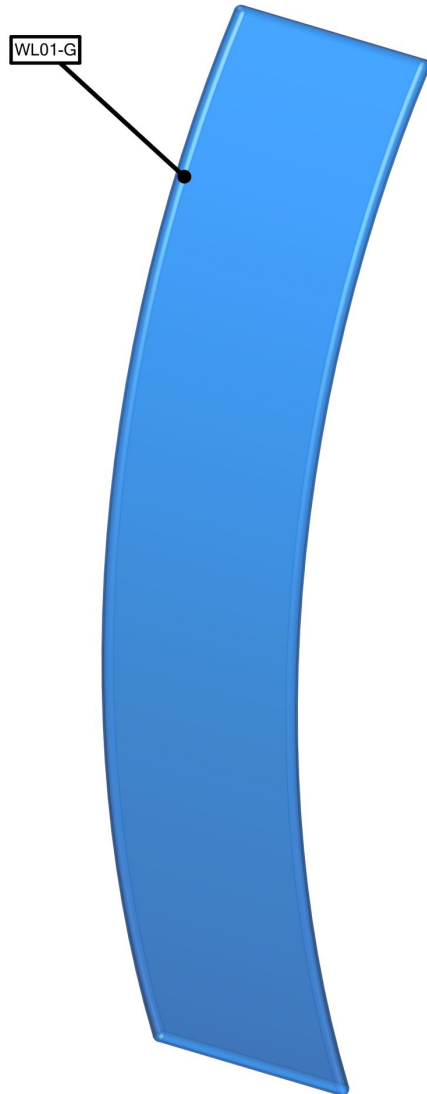
Assemble unit by laying tubes flat on the floor. Connect the tube rails following the labels by matching number to number. See detailed drawing above.

Slide joiner into tubing so hex screw sits in hole on tube. Tighten the hex screw so the joiner separates and tightens against the inside of the tubing, locking the joiner and tubing together.

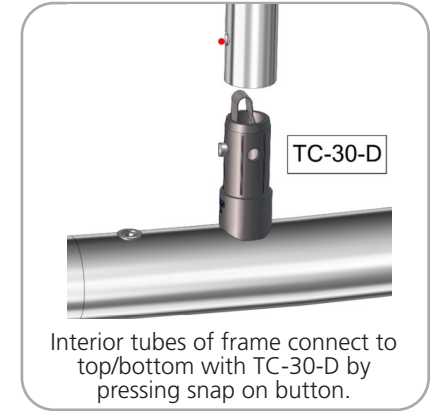
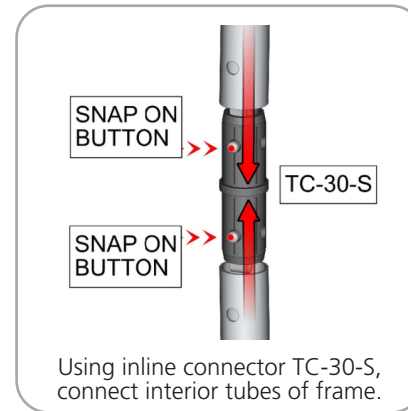
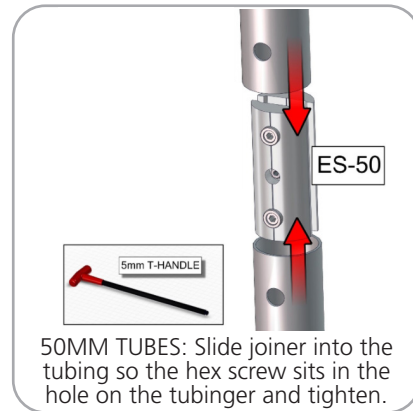
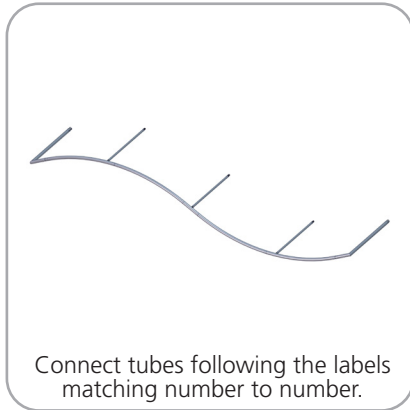
At connection 8, 9 and 10, connect tubes by pressing snap on button, lining up holes and securing button in hole.

Parts Included – Ladder

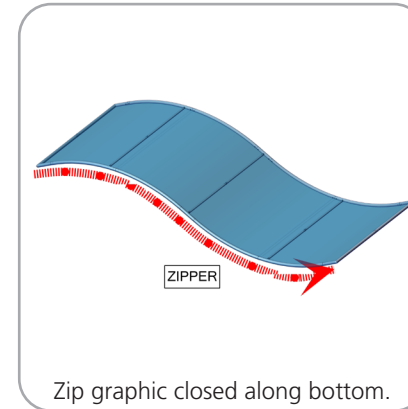
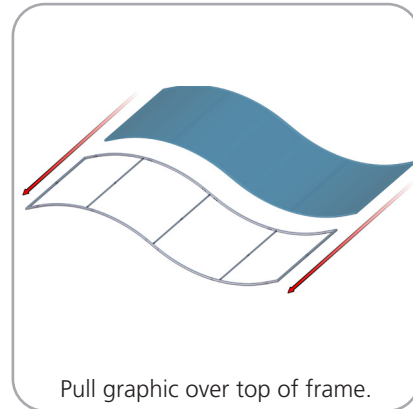
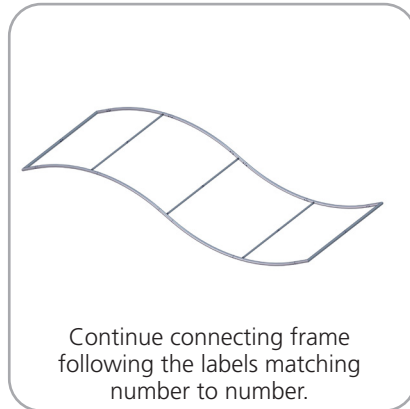
Part Label	Qty	Part Code
FABRIC PILLOWCASE GRAPHIC	x1	WL01-G
BACKWALL CONNECT WITH (2) TCH30 BACK TO BACK	x2	TCH30
535MM X 30MM TUBE WITH PART TC-30-T BOTH ENDS	x1	WL01-T1
535MM X 30MM TUBE WITH (2) TC-30-90T	x2	WL01-T2
R2000MM X 30MM TUBE (97MM ARC)	x4	WL01-T3



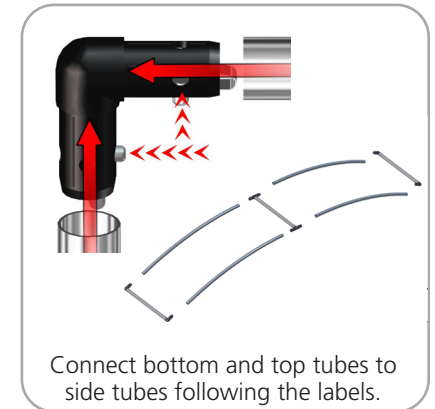
STEP 1: ASSEMBLE FRAME



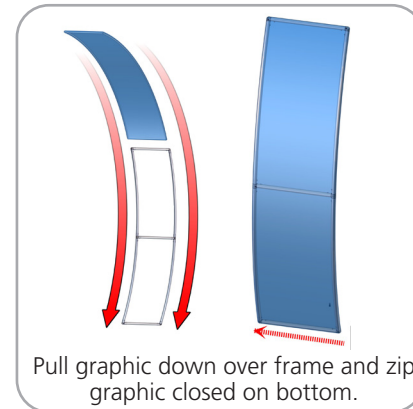
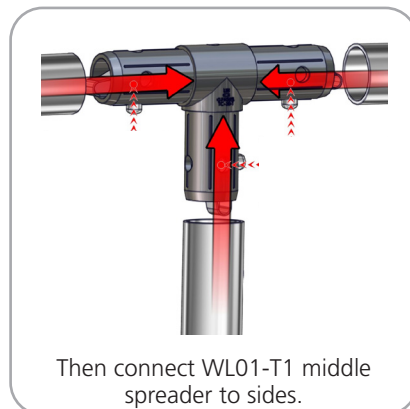
STEP 2: ATTACH GRAPHIC



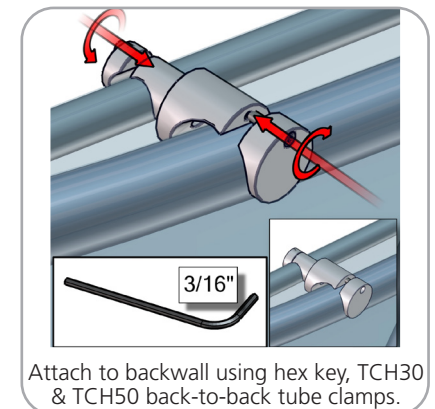
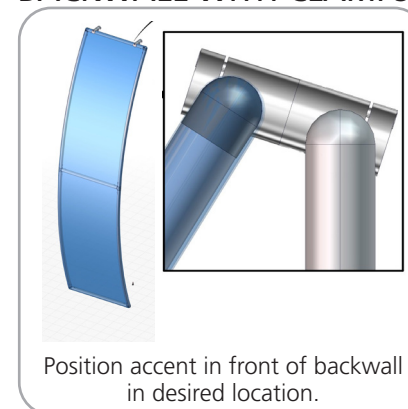
STEP 3: ASSEMBLE LADDER FRAME



STEP 4: ATTACH GRAPHIC

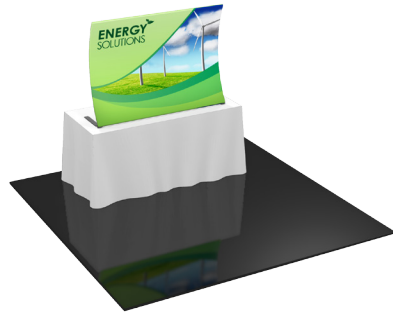


STEP 5: ATTACH TO BACKWALL WITH CLAMPS



Check out these related products:

The Formulate line is a collection of stylish, ergonomically designed tabletop, 8ft, 10ft, 20ft exhibits, hanging structures, and display accessories. Formulate combines state-of-the-art zipper pillowcase dye-sublimated fabric coverings with a premium lightweight aluminum structure. Formulate is efficient, easy to assemble and disassemble, and offers remarkable style options and choices.



Formulate Tabletops



Formulate 8ft Kits



Formulate 10ft Kits
(Horizontal Curve)



Formulate 10ft Kits
(Vertical Curve)



Formulate 10ft Kits
(Straight)



Formulate 20ft Kits



Formulate Hanging Structures