

Formulate 10' Vertical Curve - Kit 9

FMLT-WV10-09

Formulate™ is a collection of sophisticated, ergonomically designed exhibit booths. Formulate combines state-of-the-art zipper pillowcase dye-sublimated fabric coverings with advanced lightweight aluminum structures to provide unique design, functionality, and style. The excellence of the Formulate line of displays, hanging structures and products is simply unmatched. Stretch fabric graphics are hand-sewn, durable and dry-cleanable.



We are continually improving and modifying our product range and reserve the right to vary the specifications without prior notice. All dimensions and weights quoted are approximate and we accept no responsibility for variance. E&OE. See Graphic Templates for graphic bleed specifications.

features and benefits:

- State-of-the-art 30mm aluminum tube frame with snap button assembly
- Easy to store and ship
- Quick to set up
- Table holds max 10 lbs / 4.5 kg
- Kit includes: one frame, one dye-sublimated pillowcase zipper graphic, stand-off monitor mount, side table, and one wheeled OCH2 and OCL storage case
- Lifetime hardware warranty against manufacturer defects

dimensions:

Hardware	Graphic
<p>Assembled unit: 114" w x 92.76" h x 45.19" d</p> <p>Stand-off monitor mount (with table): 36.3" w x 92.7" h x 28.75" d Table dimensions: 20.47" w x 11.81" d Monitor mount: Max T.V. size is 36", 40 lbs.</p> <p>Approximate weight (includes graphic): 58.63 lbs / 26.6 kg</p>	<p>Total visual area: 114" w x 97.25" h</p> <p>Stand-off graphic total visual area: Top & bottom: 21" w x 17.5" h</p> <p>Please be sure to include a 2" bleed around the perimeter.</p> <p>Refer to related graphic template for more information.</p>
<p>Shipping</p> <p>Shipping dimensions: One OCL case: 19" l x 19" w x 56" h One OCH2 case: 52" l x 30" w x 15" h</p> <p>Approximate shipping weight (with case): 108.63 lbs / 49.27</p>	<p>Visit: www.exhibitors-handbook.com/graphic-templates</p>

additional information:

Graphic materials:
Dye-sublimated zipper pillowcase fabric,
3mm white PVC

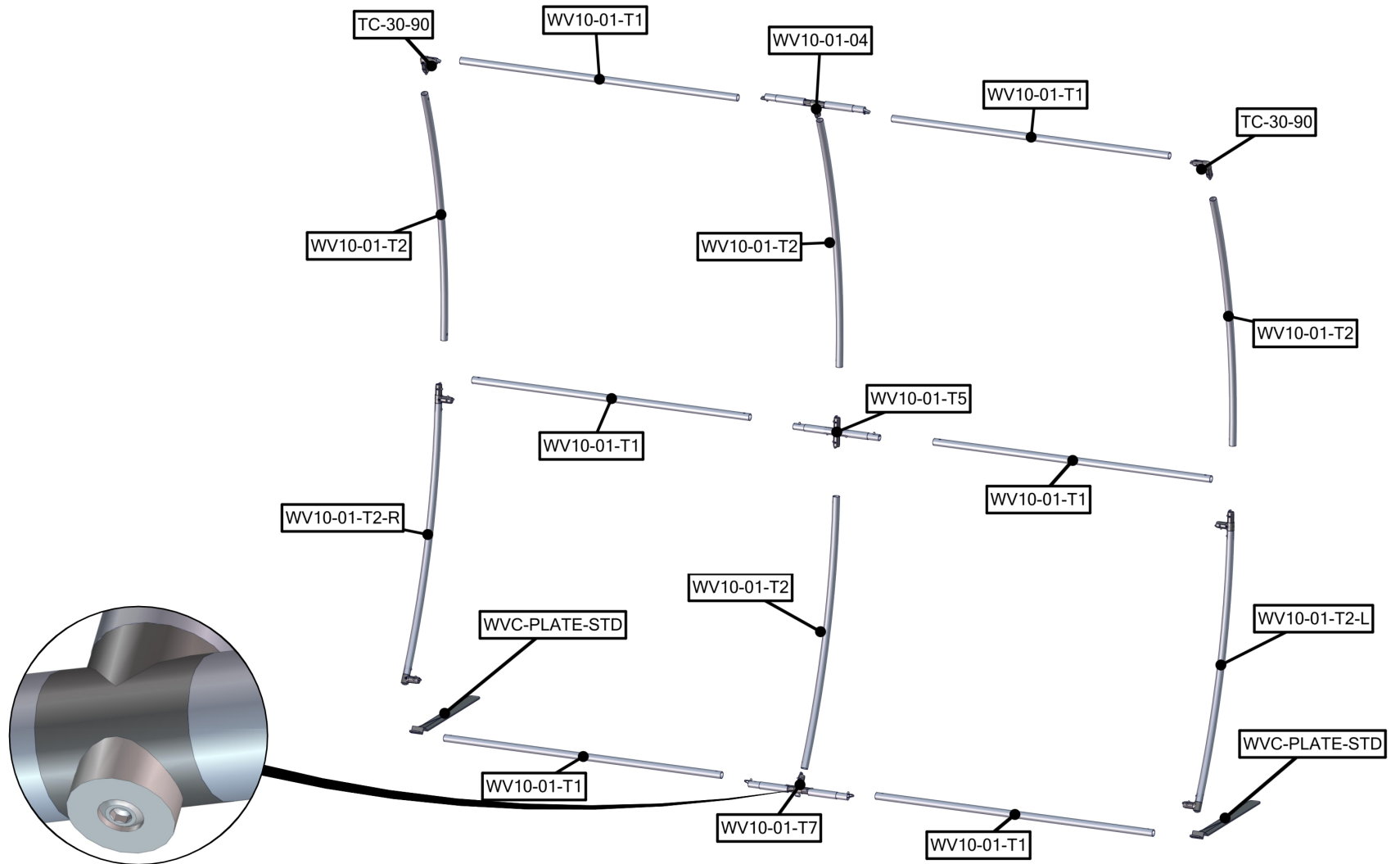
*Kit does not include monitor

Table colors:



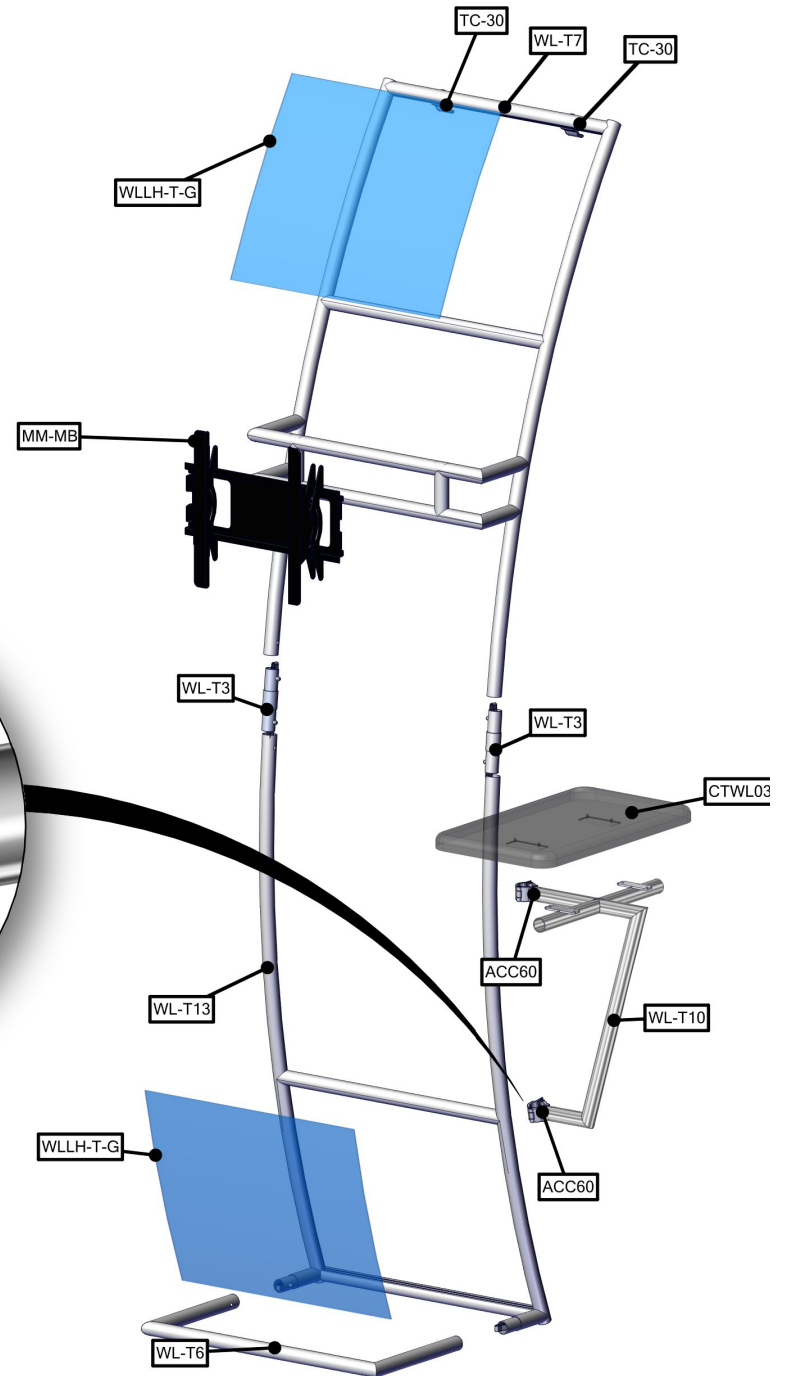
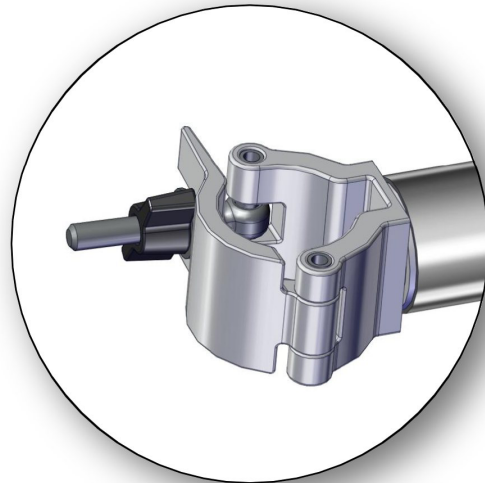
www.display-setup-animations.com

Parts Included		
Part Label	Qty	Part Code
FABRIC GRAPHIC	x1	WV10-01-G
LN114 BOLT	x2	LN114 BOLT
90 DEGREE ELBOW JOINT FOR 30MM TUBING	x2	TC-30-90
1270MM X 30MM TUBE	x6	WV10-01-T1
30MM CURVED TUBE WITH PART T AND 90B LEFT SIDE	x1	WV10-01-T2-L
30MM CURVED TUBE WITH PART T AND 90B RIGHT SIDE	x1	WV10-01-T2-R
R2250 (1163MM ARC) CURVED TUBE	x4	WV10-01-T2
(2) 128MM TUBES SWAGED WITH PART TC-30-T	x2	WV10-01-T7
(2) 128MM TUBES SWAGED WITH PART TC-30-X	x1	WV10-01-T5
STEEL PLATE FOR WVC	x2	WVC-PLATE-STD

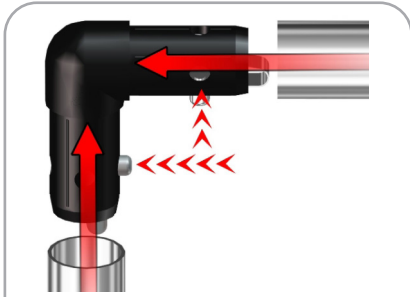


Parts Included

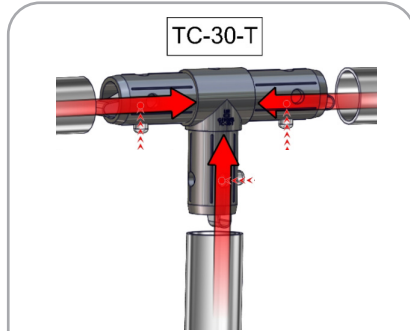
Part Label	Qty	Part Code
30MM TUBE CLAMP	x2	ACC60
MEDIUM MONITOR BRACKET	x1	MM-MB
520 X 300 X 30 COUNTER	x1	CTWL03
SILVER ANODIZE FINISH 30MM TUBE CLAMP	x2	TC-30
30MM TUBE SECTION	x2	WL-T3
TOP SINTRA GRAPHICS	x2	WLLH-T-G
30MM TUBE SECTION	x1	WL-T13
30MM TUBE SECTION	x1	WL-T6
30MM TUBE SECTION	x1	WL-T7
RWL-T10	x1	RWL-T10



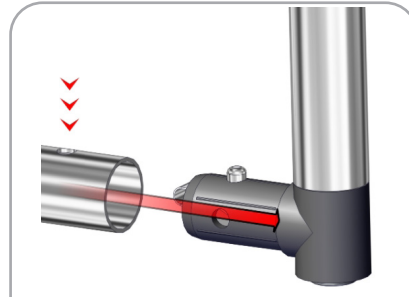
STEP 1: ASSEMBLE FRAME



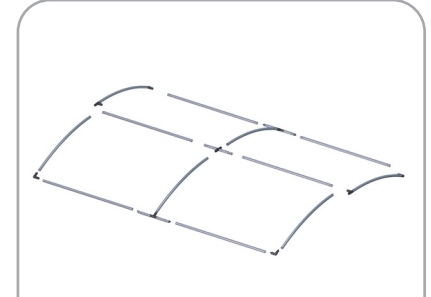
Assemble top frame corners using TC-30-90. Label codes will be on backside of tube. It is best to assemble frame laying flat.



Connect sides of frame by lining up holes with snap buttons.

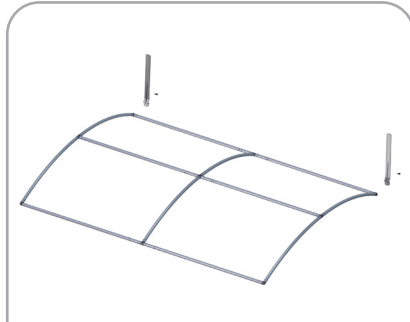


Use TC-30-90B to connect bottom frame corners; snap on button.

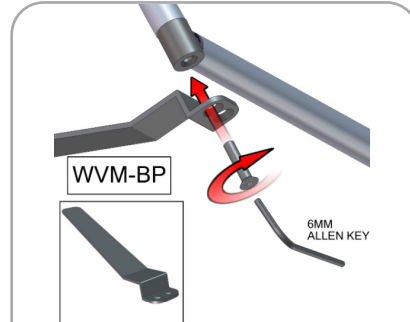


Frame assembly is complete once all sides and middle are connected.

STEP 2: ATTACH FEET

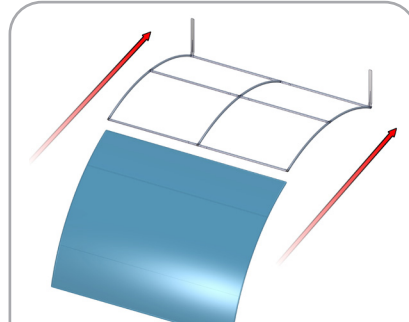


Attach feet with Allen key. See next step for detailed view.

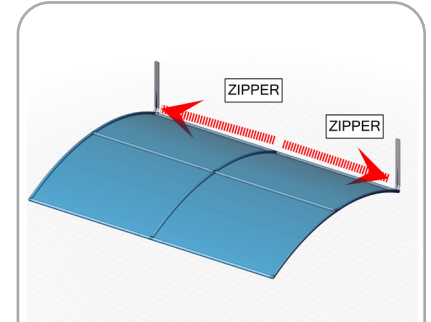


Using provided allen key, secure both feet (WVM-BP) to bottom of frame by tightening bolt.

STEP 3: ATTACH GRAPHIC

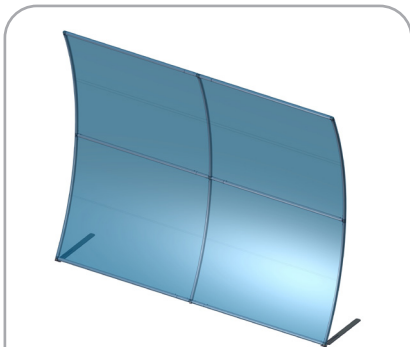


Slide graphic over top of frame.

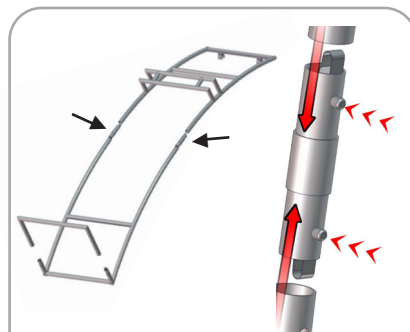


Zip fabric closed as shown along bottom.

STEP 4: ASSEMBLE LADDER FRAME



Stand unit upright.

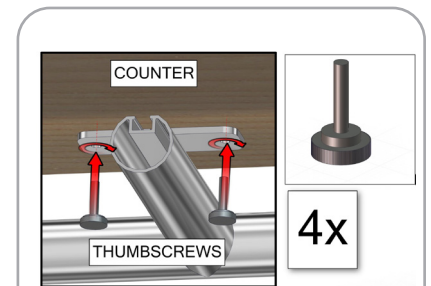


First connect top accent frame to bottom using WL-T3.



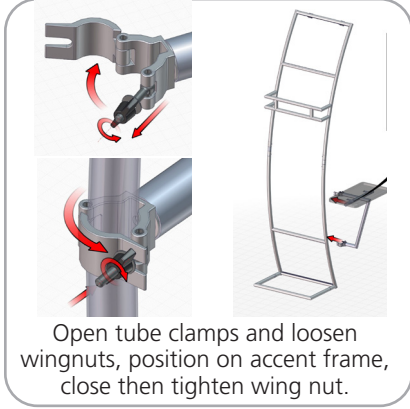
Next connect accent frame to base.

STEP 5: ATTACH TABLE TO LADDER



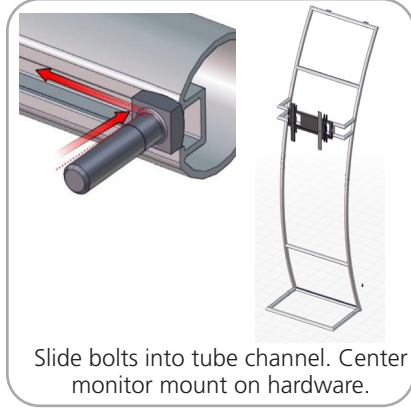
Use thumbscrews to attach table to hardware.

STEP 6: ATTACH TABLE TO ACCENT FRAME



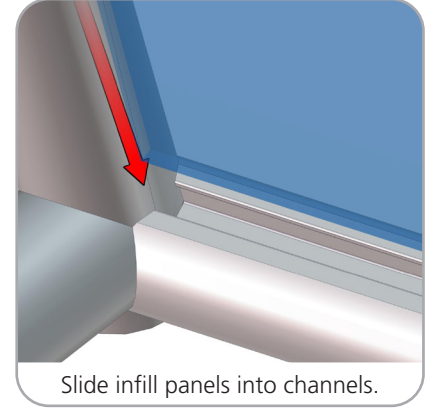
Open tube clamps and loosen wingnuts, position on accent frame, close then tighten wing nut.

STEP 7: INSTALL MONITOR MOUNT



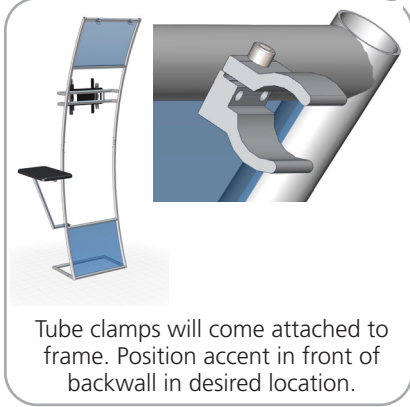
Slide bolts into tube channel. Center monitor mount on hardware.

STEP 8: ATTACH GRAPHICS

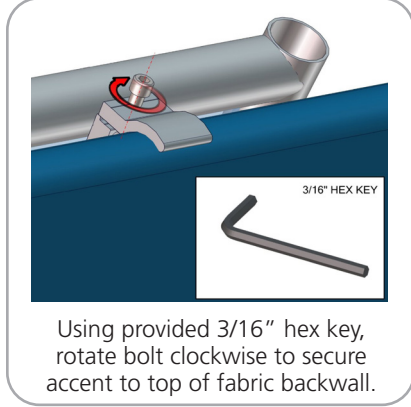


Slide infill panels into channels.

STEP 9: ATTACH TO BACKWALL WITH CLAMPS



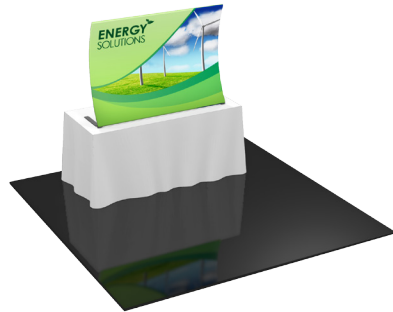
Tube clamps will come attached to frame. Position accent in front of backwall in desired location.



Using provided 3/16" hex key, rotate bolt clockwise to secure accent to top of fabric backwall.

Check out these related products:

The Formulate line is a collection of stylish, ergonomically designed tabletop, 8ft, 10ft, 20ft exhibits, hanging structures, and display accessories. Formulate combines state-of-the-art zipper pillowcase dye-sublimated fabric coverings with a premium lightweight aluminum structure. Formulate is efficient, easy to assemble and disassemble, and offers remarkable style options and choices.



Formulate Tabletops



Formulate 8ft Kits



Formulate 10ft Kits
(Horizontal Curve)



Formulate 10ft Kits
(Vertical Curve)



Formulate 10ft Kits
(Straight)



Formulate 20ft Kits



Formulate Hanging Structures