

# Formulate 10' Horizontal Curve - Kit 8

## FMLT-WH10-08

Formulate™ is a collection of sophisticated, ergonomically designed exhibit booths. Formulate combines state-of-the-art zipper pillowcase dye-sublimated fabric coverings with advanced lightweight aluminum structures to provide unique design, functionality, and style. The excellence of the Formulate line of displays, hanging structures and products is simply unmatched. Stretch fabric graphics are hand-sewn, durable and dry-cleanable.



We are continually improving and modifying our product range and reserve the right to vary the specifications without prior notice. All dimensions and weights quoted are approximate and we accept no responsibility for variance. E&OE. See Graphic Templates for graphic bleed specifications.

## features and benefits:

- State-of-the-art 30mm aluminum tube frame with snap button assembly
- Hardware mounts for a medium sized monitor; max 36"/ 40 lbs
- Table holds max 10 lbs / 4.5 kg
- Kit includes: one frame, one dye-sublimated pillowcase zipper graphic, stand-off monitor mount, side table, and one wheeled molded OCL and OCH2 storage case
- Lifetime hardware warranty against manufacturer defects

## dimensions:

| Hardware   | Graphic   |
|--|---|
| <p>Assembled unit:<br/>112"w x 92.76"h x 36.79"d</p> <p>Stand-off monitor mount with table:<br/>36.3"w x 92.7"h x 28.75"d<br/>Countertop dimensions: 20.47"w x 11.81"d</p> <p>Approximate weight (includes graphics):<br/>55.5 lbs / 25 kg</p> | <p>Total visual area:<br/>123.125"w x 92"h</p> <p>Stand-off graphic total visual area:<br/>Top &amp; bottom: 21"w x 17.5"h</p> <p>Please be sure to include a 2" bleed around the perimeter.</p> <p>Refer to related graphic template for more information.</p> |
| <p>Shipping</p> <p>Shipping dimensions - ships in two cases:<br/>One OCL case: 19"l x 19"w x 56"h<br/>One OCH2 case: 52"l x 30"w x 15"h</p> <p>Approximate shipping weight (with cases):<br/>105.5 lbs / 47.85 kg</p>                          | <p>Visit:<br/><a href="http://www.exhibitors-handbook.com/graphic-templates">www.exhibitors-handbook.com/graphic-templates</a></p>  |

## additional information:

Graphic materials:  
Dye-sublimated zipper pillowcase fabric,  
3mm white PVC

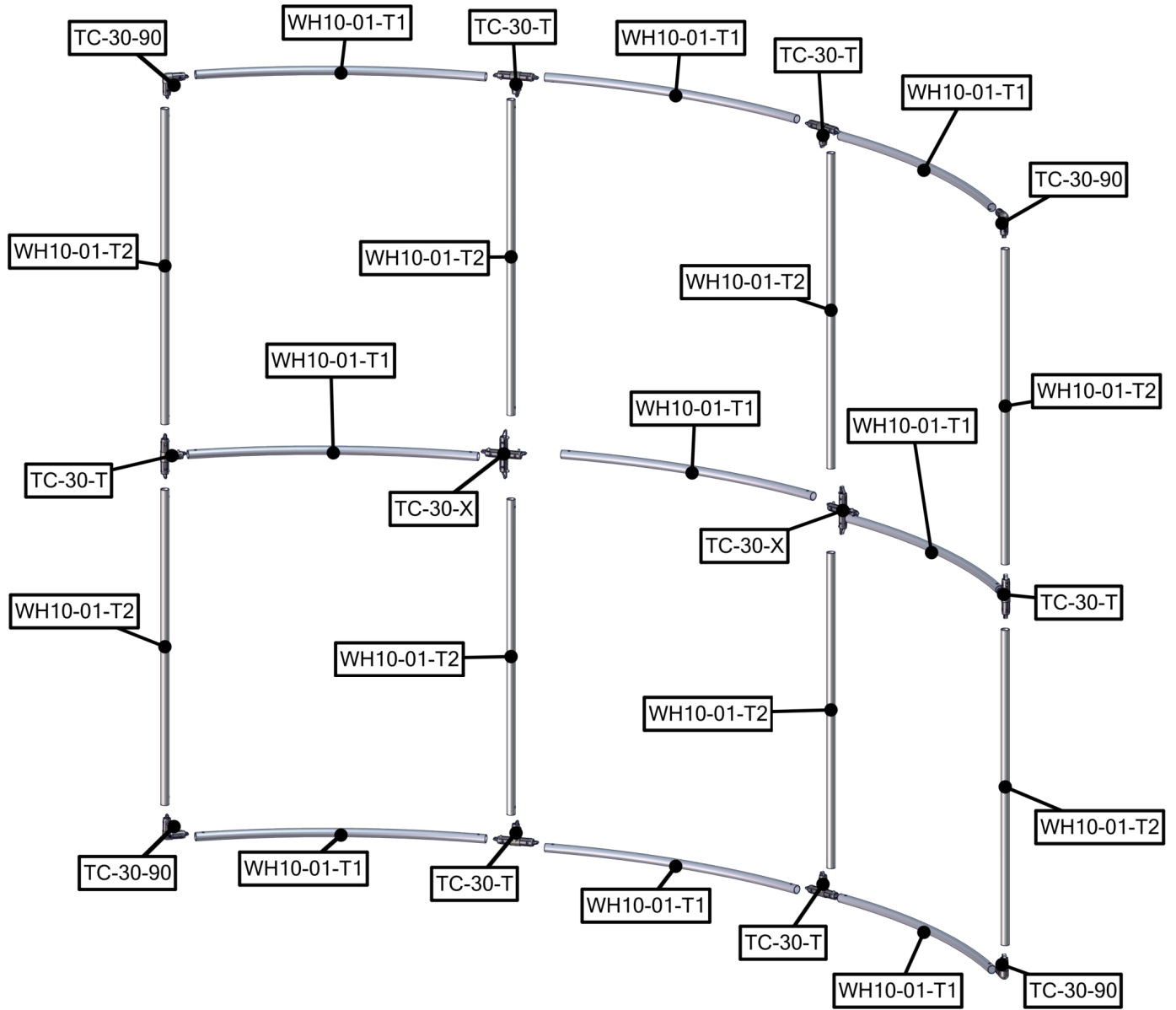
Monitor mount: Max T.V. Size is 36"/ 40 lbs  
\*Kit does not include monitor

Table colors:

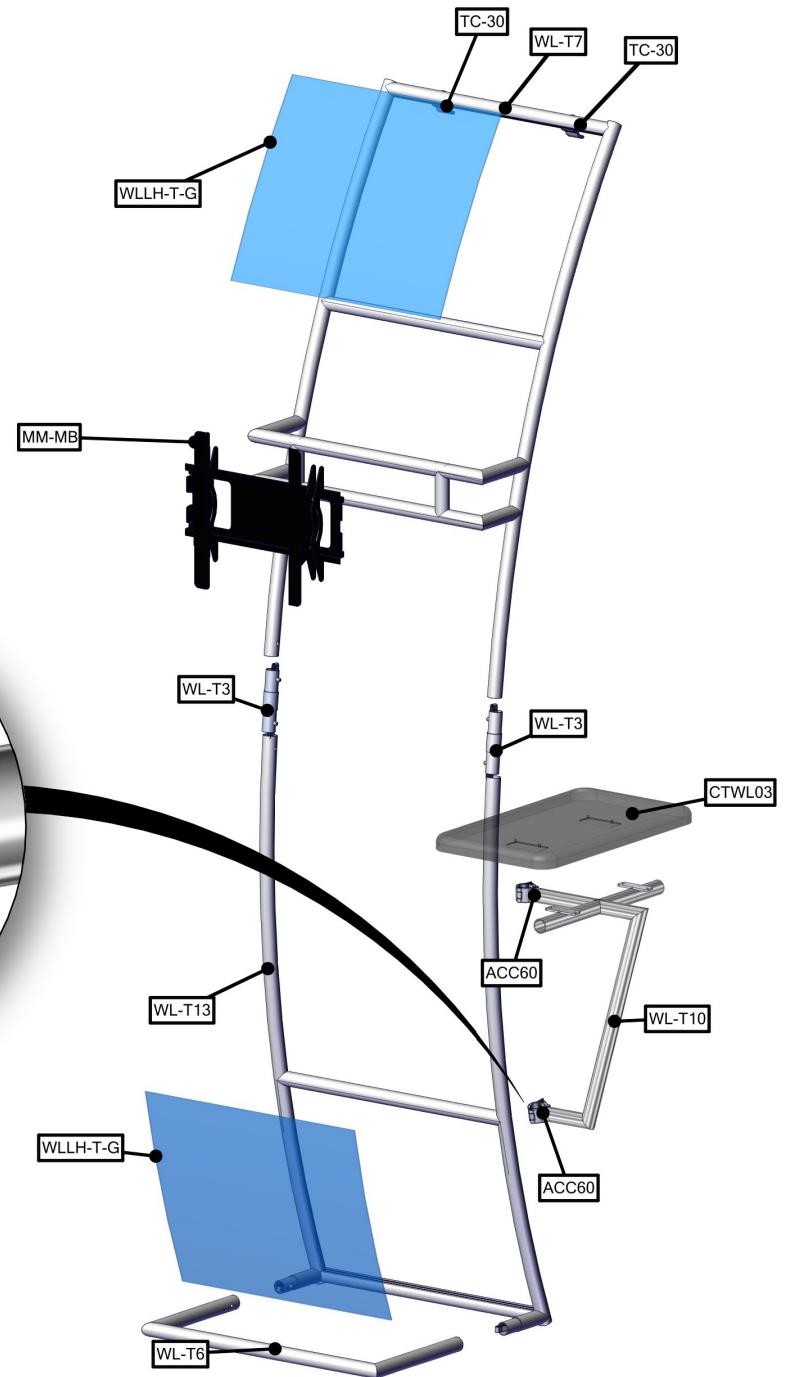
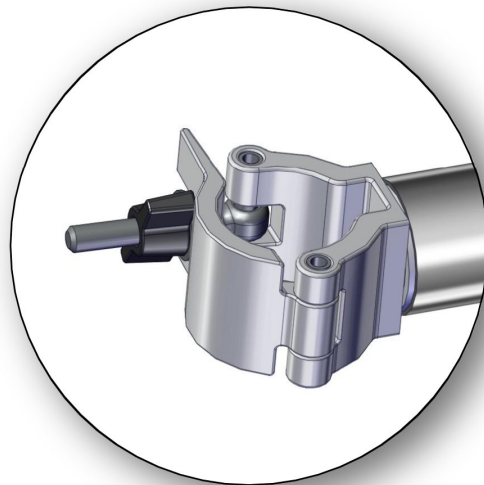


[www.display-setup-animations.com](http://www.display-setup-animations.com)

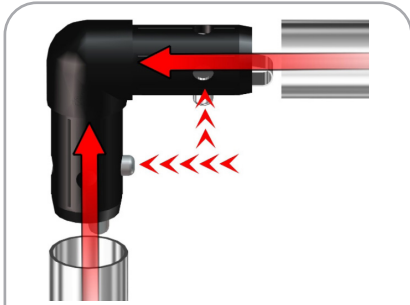
| Parts Included                        |     |            |
|---------------------------------------|-----|------------|
| Part Label                            | Qty | Part Code  |
| FABRIC GRAPHIC                        | x1  | WH10-01-G  |
| 90 DEGREE ELBOW JOINT FOR 30MM TUBING | x4  | TC-30-90   |
| T JUNCTION FOR 30MM TUBING            | x6  | TC-30-T    |
| 4 WAY JUNCTION FOR 30MM TUBING        | x2  | TC-30-X    |
| R2000MM X 30MM TUBE (997MM ARC)       | x9  | WH10-01-T1 |
| 1114MM X 30MM TUBE                    | x8  | WH10-01-T2 |



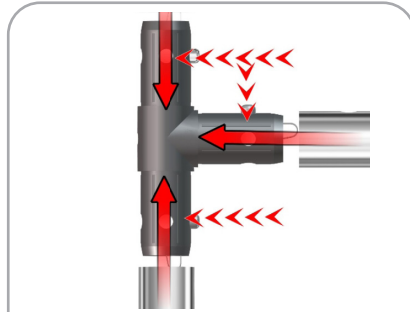
| Parts Included                        |     |           |
|---------------------------------------|-----|-----------|
| Part Label                            | Qty | Part Code |
| 30MM TUBE CLAMP                       | x2  | ACC60     |
| MEDIUM MONITOR BRACKET                | x1  | MM-MB     |
| 520 X 300 X 30 COUNTER                | x1  | CTWL03    |
| SILVER ANODIZE FINISH 30MM TUBE CLAMP | x2  | TC-30     |
| 30MM TUBE SECTION                     | x2  | WL-T3     |
| TOP SINTRA GRAPHICS                   | x2  | WLLH-T-G  |
| 30MM TUBE SECTION                     | x1  | WL-T13    |
| 30MM TUBE SECTION                     | x1  | WL-T6     |
| 30MM TUBE SECTION                     | x1  | WL-T7     |
| RWL-T10                               | x1  | RWL-T10   |



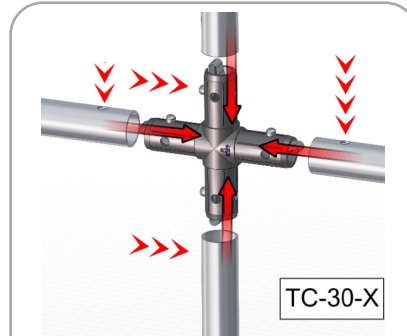
### STEP 1: ASSEMBLE FRAME



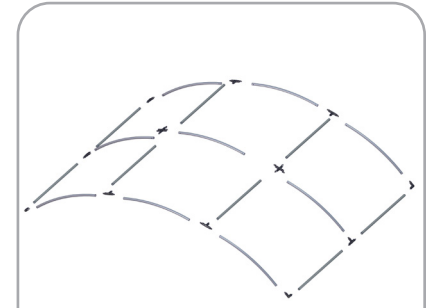
Assemble top frame corners using TC-30-90. Label codes will be on backside of tube. It is best to assemble frame laying flat.



Connect top and bottom sides of frame using TC-30-T by lining up holes with snap buttons.

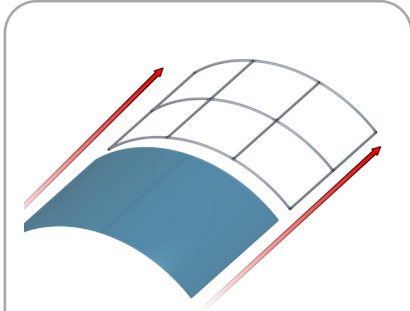


Use TC-30-X to connect middle frame sections; snap on button.

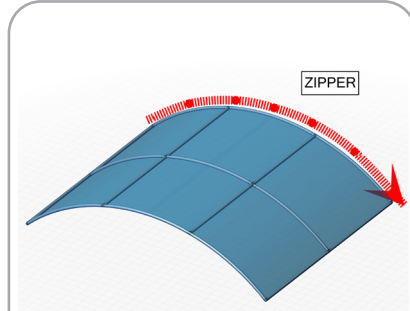


Frame assembly is complete once all sides and middle are connected.

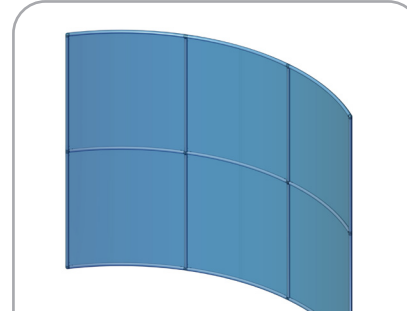
### STEP 2: ATTACH GRAPHIC



Slide graphic over top of frame.

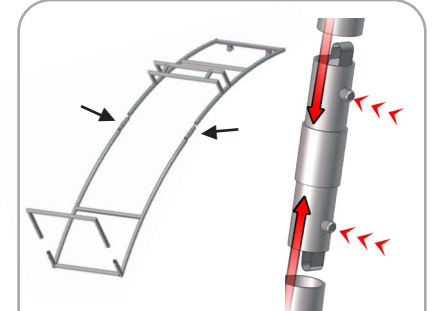


Zip fabric closed as shown along bottom.



Stand unit upright.

### STEP 3: ASSEMBLE LADDER FRAME

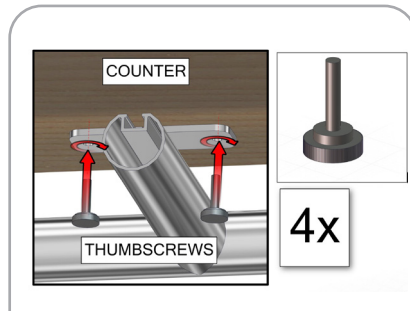


First connect top accent frame to bottom using WL-T3.

### STEP 4: ATTACH TABLE

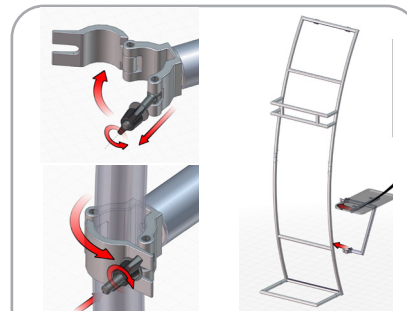


Next connect accent frame to base.



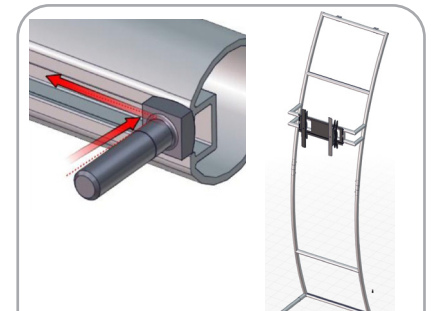
Use thumbscrews to attach table to hardware.

### STEP 5: ATTACH TABLE TO ACCENT FRAME

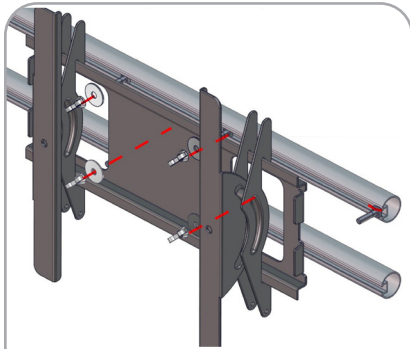


Open tube clamps and loosen wingnuts, position on accent frame, close then tighten wing nut.

### STEP 6: INSTALL MONITOR MOUNT

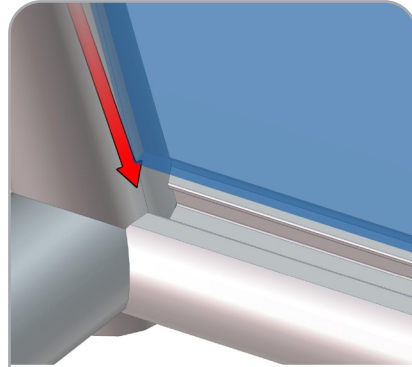


Slide bolts into tube channel. Center monitor mount on hardware.



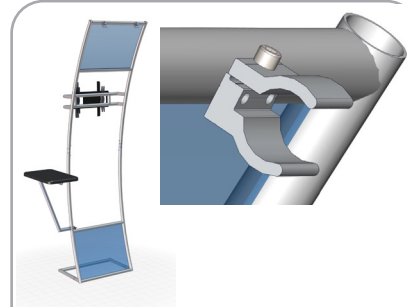
Secure monitor mount with washers and wingnuts.

### STEP 7: ATTACH GRAPHICS

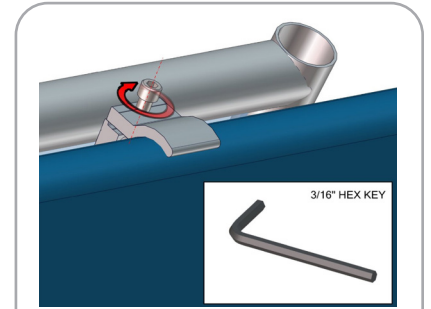


Slide infill panels into channels.

### STEP 8: ATTACH TO BACKWALL WITH CLAMPS



Tube clamps will come attached to frame. Position accent in front of backwall in desired location.

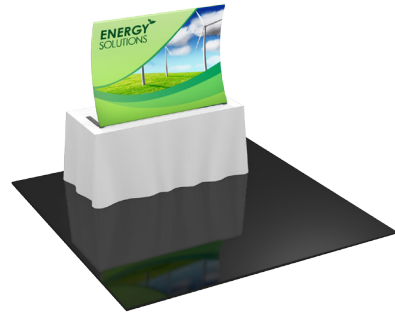


Using provided 3/16" hex key, rotate bolt clockwise to secure accent to top of fabric backwall.



# Check out these related products:

The Formulate line is a collection of stylish, ergonomically designed tabletop, 8ft, 10ft, 20ft exhibits, hanging structures, and display accessories. Formulate combines state-of-the-art zipper pillowcase dye-sublimated fabric coverings with a premium lightweight aluminum structure. Formulate is efficient, easy to assemble and disassemble, and offers remarkable style options and choices.



Formulate Tabletops



Formulate 8ft Kits



Formulate 10ft Kits  
(Horizontal Curve)



Formulate 10ft Kits  
(Vertical Curve)



Formulate 10ft Kits  
(Straight)



Formulate 20ft Kits



Formulate Hanging Structures