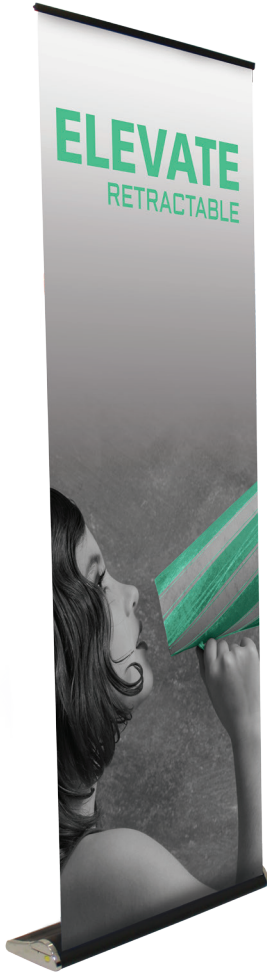


Elevate

ELEVATE

At a towering 97" high, over 8' tall, this banner stand makes a maximum impact with these ease and convenience of a retracting banner.



features and benefits:

- Variable heights 33.25"-96"
- Black aluminum body with chrome end caps and adjustable feet
- Super tall 4-piece telescopic pole
- Roller access via flip-flop lid and removable self-locking graphic roller mechanism
- Five year warranty against all manufacturer defects

dimensions:

Hardware

Base dimensions:

35.5"w x 2.75"h x 8"d
902mm(w) x 70mm(h) x 203mm(d)

Assembled unit dimensions:

35.5"w x 96"h x 8"d
902mm(w) x 2438mm(h) x 203mm(d)

Weight: 10 lbs / 4.5 kg

Bag Dimensions:

36.5"w x 4"h x 9"d
927mm(w) x 102mm(h) x 229mm(w)

Shipping

Shipping dimensions: (ships in one box)

39"w x 6"h x 10"d
991mm(w) x 152mm(h) x 254mm(w)

Shipping weight: 14 lbs / 6.4 kg

additional information:

Graphic materials:

14 oz. anti-curl vinyl, 8 oz. oxford,
11 mil melinex

Graphic

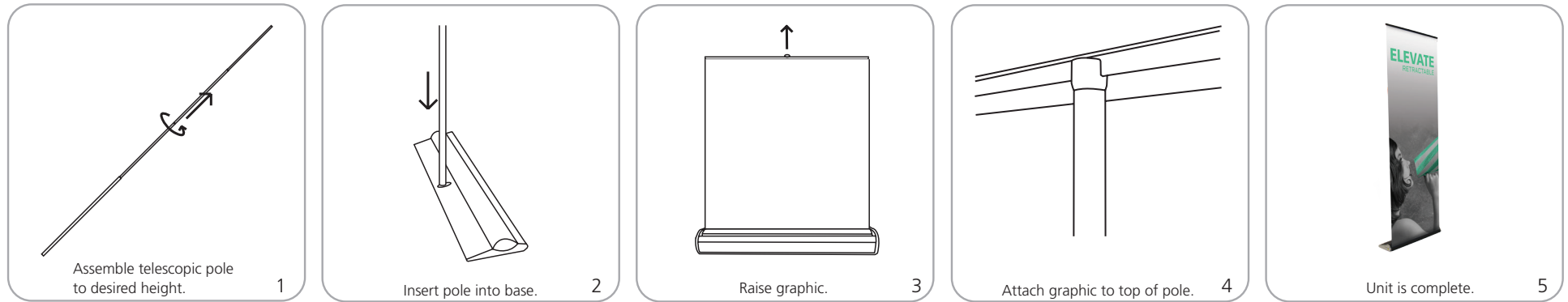
Total visible area:

33.25"w x 95.25"h
845mm(w) x 2419mm(h)

Add 1/2" bleed to top and 1/2" (12.7mm) bleed to base of graphic.

Refer to related graphic template for more information.

Banner Stand Assembly



Assemble telescopic pole to desired height. 1

Insert pole into base. 2

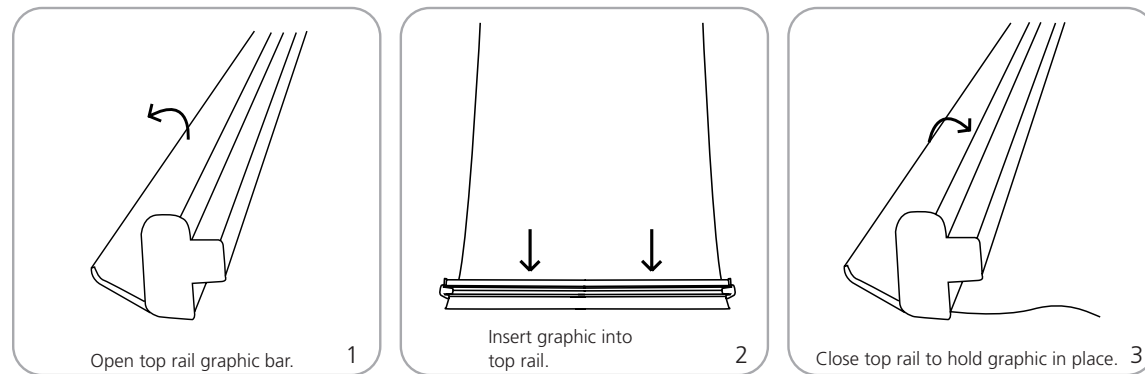
Raise graphic. 3

Attach graphic to top of pole. 4

Unit is complete. 5

The diagrams show the step-by-step assembly of a banner stand. Step 1: A telescopic pole is extended to the desired height. Step 2: The pole is inserted into the base. Step 3: The graphic is raised from the base. Step 4: The graphic is attached to the top of the pole. Step 5: The final assembled unit is shown with a banner that reads 'ELEVATE GET IT DONE'.

Adhesive Top Rail Attachment



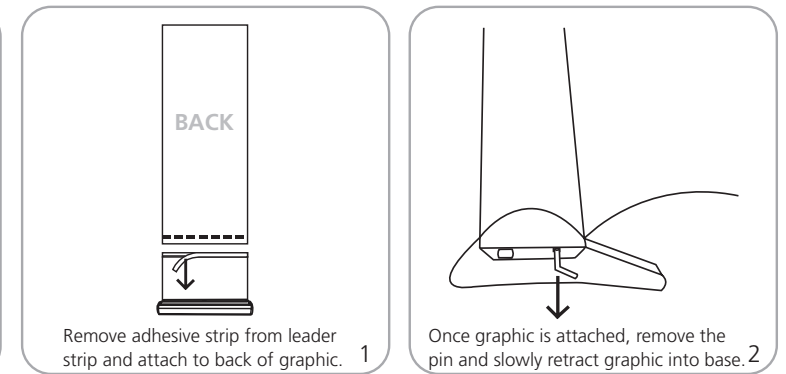
Open top rail graphic bar. 1

Insert graphic into top rail. 2

Close top rail to hold graphic in place. 3

The diagrams illustrate the adhesive top rail attachment process. Step 1: The top rail graphic bar is opened. Step 2: The graphic is inserted into the top rail. Step 3: The top rail is closed to hold the graphic in place.

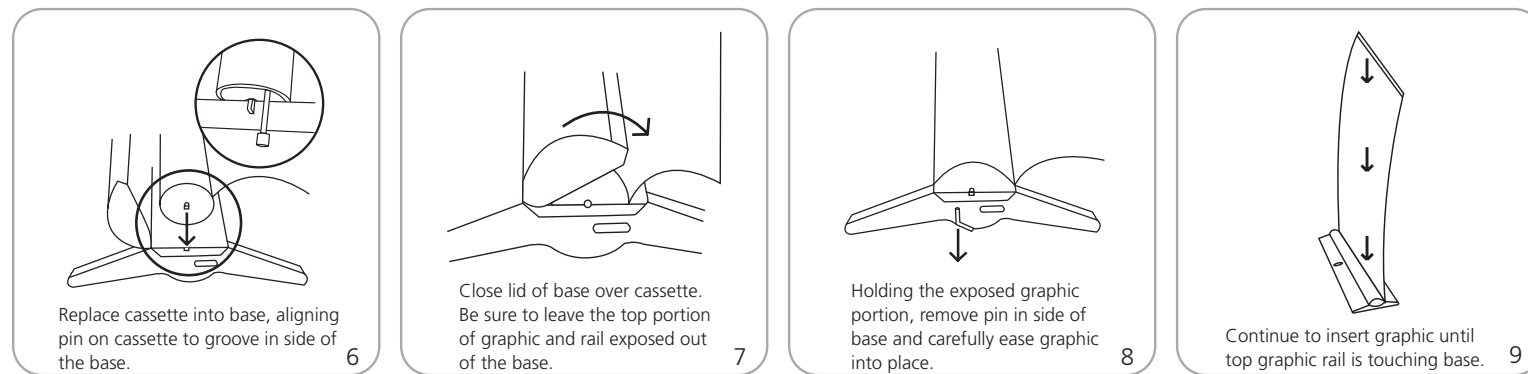
Bottom Graphic Attachment - Cassette



Remove adhesive strip from leader strip and attach to back of graphic. 1

Once graphic is attached, remove the pin and slowly retract graphic into base. 2

The diagrams show the bottom graphic attachment using a cassette. Step 1: An adhesive strip is removed from the leader strip and attached to the back of the graphic. Step 2: The graphic is attached to the base, and the pin is removed, allowing the graphic to be slowly retracted into the base.



Replace cassette into base, aligning pin on cassette to groove in side of the base. 6

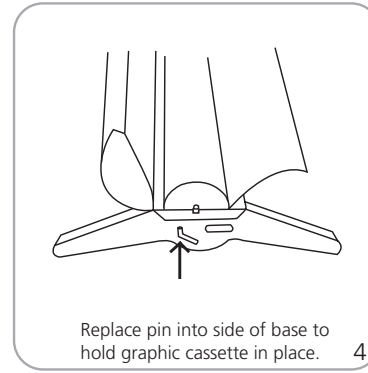
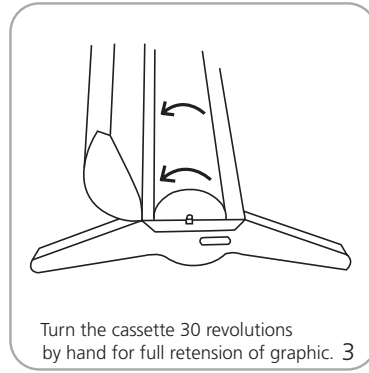
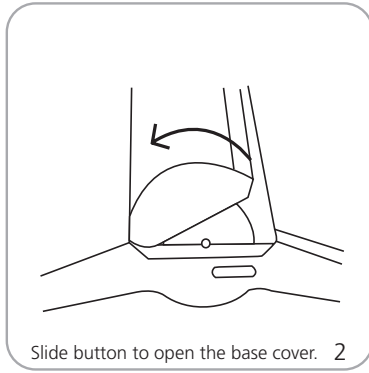
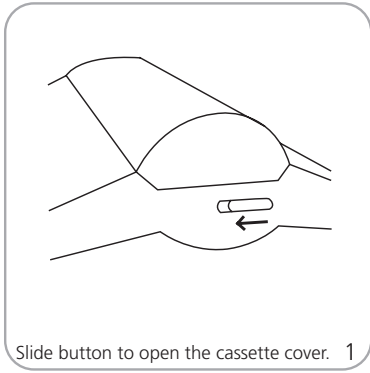
Close lid of base over cassette. Be sure to leave the top portion of graphic and rail exposed out of the base. 7

Holding the exposed graphic portion, remove pin in side of base and carefully ease graphic into place. 8

Continue to insert graphic until top graphic rail is touching base. 9

The diagrams continue the bottom graphic attachment process. Step 6: The cassette is replaced into the base, aligning the pin on the cassette to the groove in the side of the base. Step 7: The lid of the base is closed over the cassette, leaving the top portion of the graphic and rail exposed. Step 8: The pin is removed from the side of the base, and the graphic is carefully eased into place. Step 9: The graphic is continued to be inserted until the top graphic rail is touching the base.

Retensioning



Check out these related products:



Orchid



Imagine



Advance