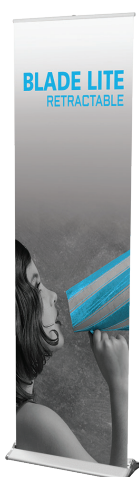


Blade Lite

BLD-LT-600-1 BLD-LT-1000-1
 BLD-LT-800-1 BLD-LT-1200-1
 BLD-LT-850-1 BLD-LT-1500-1
 BLD-LT-920-1

Blade Lite is an attractive, sleek stand in anodized silver with chrome endcaps and a streamlined base design. With seven base widths to choose from, there is a Blade Lite to fit every space.



Blade Lite 600



Blade Lite 800



Blade Lite 850



Blade Lite 920



Blade Lite 1000



Blade Lite 1200



Blade Lite 1500

features and benefits:

- Comes complete with base, toolless quick rail, hybrid bungee/ telescoping pole and carry bag
- Variable height: 60" - 83.25"
- Seven widths to choose from: 600, 800, 850, 920, 1000, 1200 and 1500mm
- Chrome end caps
- Weighted base for stability
- Adjustable leveling feet
- Protective foam padding in bag
- Lifetime limited hardware warranty against manufacturer defects

dimensions:

Hardware	Shipping
<p>Assembled unit:</p> <p>600mm: 25.5" w x 86" h x 8.6" d 648mm(w) x 2184mm(h) x 219mm(d)</p> <p>800mm: 33.5" w x 86" h x 8.6" d 850mm(w) x 2184mm(h) x 219mm(d)</p> <p>850mm: 35.4" w x 86" h x 8.6" d 890mm(w) 2184mm(h) x 219mm(d)</p> <p>920mm: 38" w x 86" h x 8.6" d 965mm(w) x 2184mm(h) x 219mm(d)</p> <p>1000mm: 41.3" w x 86" h x 8.6" d 1050mm(w) x 2184mm(h) x 219mm(d)</p> <p>1200mm: 49" w x 86" h x 8.6" d 1245mm(w) x 2184mm(h) x 219mm(d)</p> <p>1500mm: 61" w x 86" h x 8.6" d 1549mm(w) x 2184mm(h) x 219mm(d)</p>	<p>Shipping dimensions - ships in one box:</p> <p>600mm: 30" l x 10" h x 5" d 800mm: 37" l x 10" h x 5" d 850mm: 39" l x 10" h x 5" d 920mm: 42" l x 10" h x 5" d 1000mm: 45" l x 10" h x 5" d 1200mm: 54" l x 10" h x 5" d 1500mm: 65" l x 10" h x 5" d</p> <p>Approximate shipping weight (w/o graphic):</p> <p>600mm: 7 lbs / 3.2 kgs 800mm: 11 lbs / 5 kgs 850mm: 11 lbs / 5 kgs 920mm: 12 lbs / 5.4 kgs 1000mm: 12 lbs / 5.4 kgs 1200mm: 15 lbs / 6.8 kgs</p>

Graphic

Refer to related graphic template for more information

Visit: www.exhibitors-handbook.com/graphic-templates

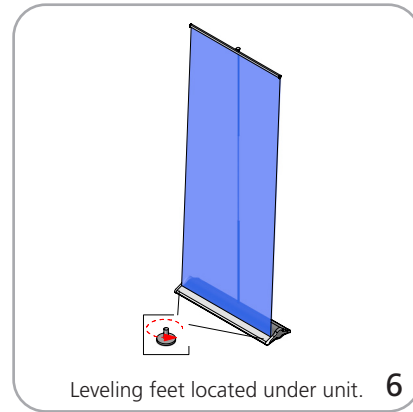
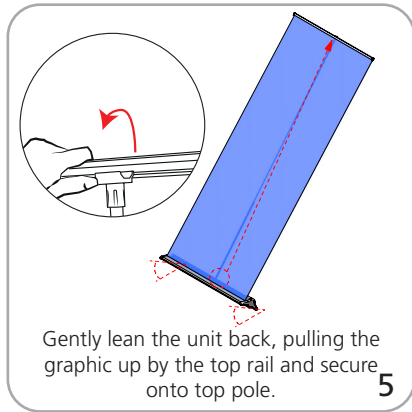
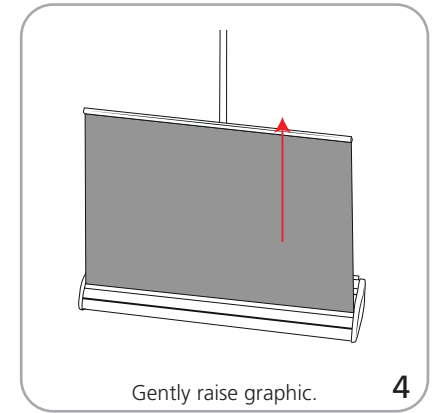
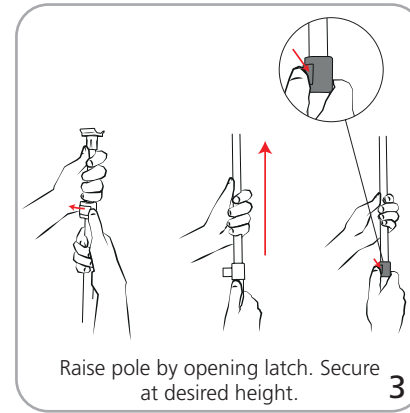
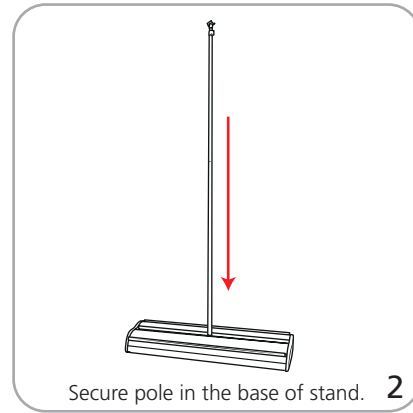
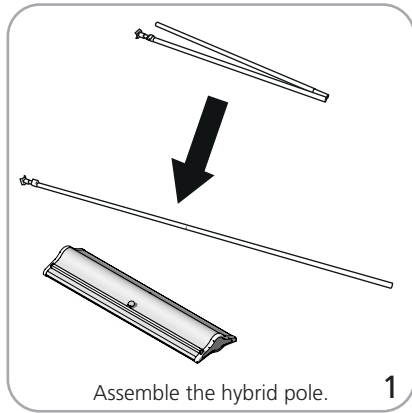
additional information:

Graphic materials:
 13 oz flatmaxx vinyl or premium 100% opaque fabric

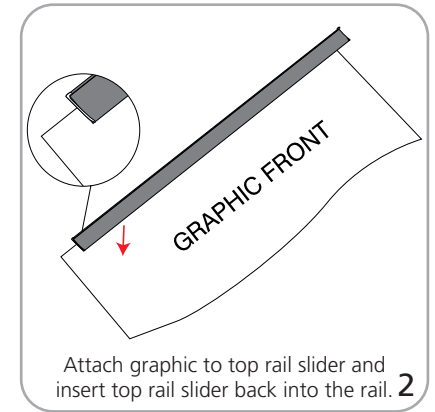
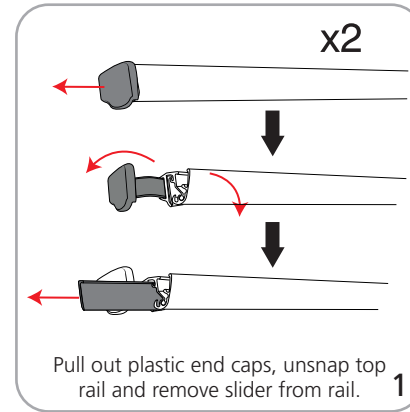
Blade Lite 600, 800, 850, 920 and 1000 are supplied with one hybrid pole per unit while 1200 and 1500 come with two hybrid poles per unit

We are continually improving and modifying our product range and reserve the right to vary the specifications without prior notice. All dimensions and weights quoted are approximate and we accept no responsibility for variance. E&OE. See Graphic Templates for graphic bleed specifications.

Blade Lite set-up



Graphic to top rail attachment



Graphic to base attachment

